

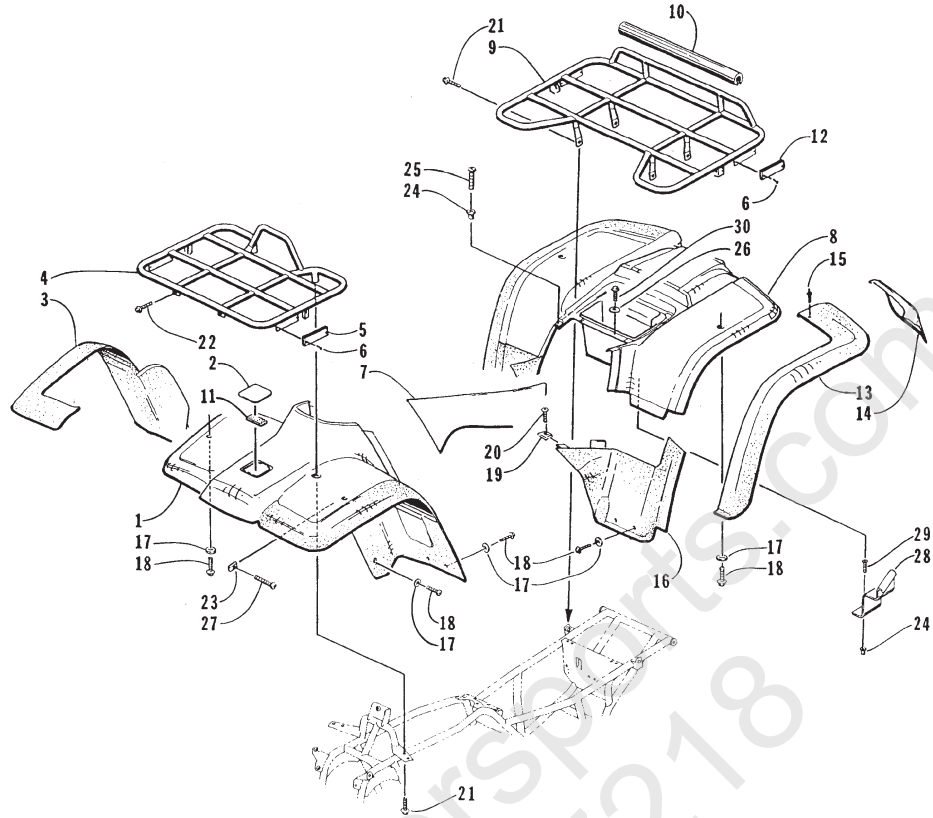
TABLE OF CONTENTS

ATV 400 4x4 — ATV 500 4x4

(Model No. 99A4E-AP) (Model No. 99A4G-AP)

AIR INTAKE ASSEMBLY	15	B3
BODY PANEL ASSEMBLY	1	A3
CAM CHAIN ASSEMBLY	30	C4
CAM SHAFT VALVE ASSEMBLY	29	C3
CARBURETOR	21	B9
CLUTCH ASSEMBLY	34	C8
CONTROL SWITCH HOUSING ASSEMBLY	45	D5
COOLING ASSEMBLY	18	B6
CRANK BALANCER ASSEMBLY	28	C2
CRANKCASE ASSEMBLY	24	B12
CRANKCASE COVER ASSEMBLY	25	B13
CRANKSHAFT ASSEMBLY	26	B14
CYLINDER ASSEMBLY	23	B11
CYLINDER HEAD ASSEMBLY	22	B10
DECALS	3	A5
ENGINE AND EXHAUST	17	B5
FRAME AND RELATED PARTS	4	A6
FRONT BEVEL GEAR ASSEMBLY	41	D1
FRONT SUSPENSION ASSEMBLY	7	A9
FUEL TANK ASSEMBLY	13	B1
GEAR SHIFTING ASSEMBLY	39	C13
HI/LOW SHIFTER ASSEMBLY	40	C14
HYDRAULIC BRAKE ASSEMBLY	12	A14
HYDRAULIC BRAKE CONTROL ASSEMBLY	11	A13
MAGNETO ASSEMBLY	44	D4
MECHANICAL BRAKE ASSEMBLY	10	A12
OIL FILTER/PUMP ASSEMBLY	32	C6
REAR AXLE ASSEMBLY	19	B7
REAR BEVEL GEAR ASSEMBLY	42	D2
REAR SUSPENSION ASSEMBLY	8	A10
RECOIL STARTER ASSEMBLY	31	C5
RELATED ITEMS	Back Cover	D7
REVERSE SHIFT LEVER ASSEMBLY	14	B2
SEAT ASSEMBLY	5	A7
SECONDARY DRIVE ASSEMBLY	38	C12
SECONDARY TRANSMISSION ASSEMBLY	36	C10
SPEEDOMETER DRIVE ASSEMBLY	37	C11
STARTER CLUTCH ASSEMBLY	27	C1
STARTER MOTOR ASSEMBLY	43	D3
STEERING ASSEMBLY	6	A8
STORAGE BOX AND BATTERY ASSEMBLY	16	B4
TAILLIGHT ASSEMBLY	2	A4
THROTTLE CASE ASSEMBLY	46	D6
TRANSMISSION ASSEMBLY	35	C9
WATER PUMP ASSEMBLY	33	C7
WHEEL AND TIRE ASSEMBLY	9	A11
WIRING HARNESS ASSEMBLY	20	B8

■ **NOTE:** The illustrations used in this Parts Manual are for reference to replacement part numbers only and are not to be used for assembly. For assembly procedures, use Arctic Cat Service Manuals. Underlined part numbers are new for the 1999 model year.

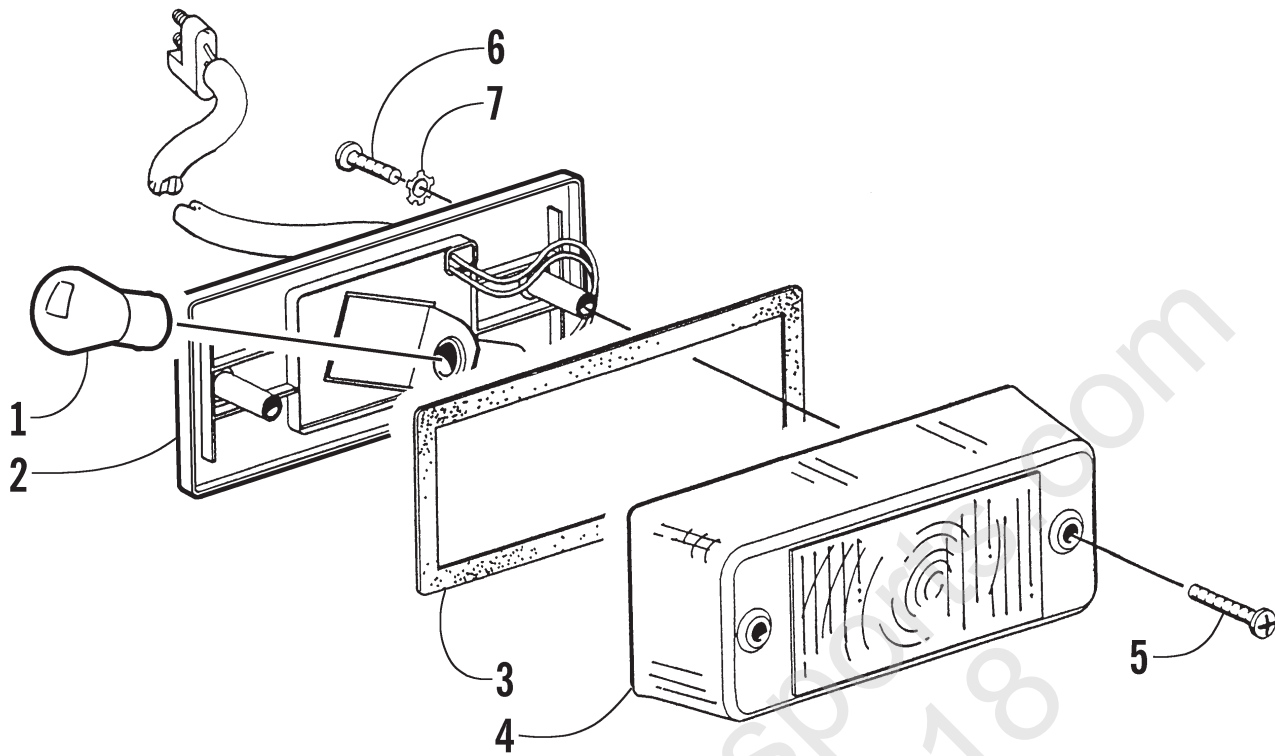


BODY PANEL ASSEMBLY

0734-275

Ref.	Part No.	Qty.	Description	Ref.	Part No.	Qty.	Description
1	0506-266	1	Panel, Fender - Front (400) (Bur)	10	0406-293	1	Wrap, Tube - Rear Rack
	0506-156	1	Panel, Fender - Front (500) (Green)	11	0417-002	1	Foam, Access Panel
	0506-277	1	Panel, Fender - Front (400) (Red)	12	0606-029	2	Reflector - Red
	0506-308	1	Panel, Fender - Front (500) (Red)	13	0406-082	1	Flare, Rear Right
2	0506-265	1	Cover, Access (400) (Bur)		0406-083	1	Flare, Rear Left
	0506-145	1	Cover, Access (500) (Green)	14	0406-086	1	Mud Flap - Right
	0506-153	1	Cover, Access (Red)		0406-087	1	Mud Flap - Left
3	0406-080	1	Flare - Front Right	15	0423-046	56	Rivet, Plastic
	0406-081	1	Flare - Front Left	16	0406-084	1	Fender Extension - Rear Right
4	0506-191	1	Rack - Front (400)		0406-085	1	Fender Extension - Rear Left
	<u>0506-293</u>	1	Rack - Front (500)	17	0423-101	16	Screw, Body
5	0606-526	2	Reflector - Yellow	18	0423-101	16	Screw, Body
6	0623-269	8	Clip, Retaining	19	0423-060	2	Clip, Tinerman
7	0506-268	1	Panel, Side - Right (400) (Bur)	20	0623-309	2	Screw, Self-Tapping
	0506-164	1	Panel, Side - Right (500) (Green)	21	8409-020	6	Screw, Cap
	0506-242	1	Panel, Side - Right (Red)	22	8408-812	2	Screw, Cap
	0506-269	1	Panel, Side - Left (400) (Bur)	23	0423-031	2	Nut, Speed
	0506-165	1	Panel, Side - Left (500) (Green)	24	0123-010	3	Nut, Expansion
	0506-243	1	Panel, Side - Left (Red)	25	0423-068	2	Screw, Machine
8	0506-267	1	Panel, Fender - Rear (400) (Bur)	26	0623-184	1	Washer
	0506-157	1	Panel, Fender - Rear (500) (Green)	27	8477-616	2	Screw, Machine
	0506-307	1	Panel, Fender - Rear (Red)	28	0406-297	1	Plate, Heat - Rear Panel
9	0506-190	1	Rack - Rear (400)	29	0123-549	1	Screw, Machine
	<u>0506-292</u>	1	Rack - Rear (500)	30	8476-616	1	Screw, Machine

1999 400 4x4
 1999 500 4x4

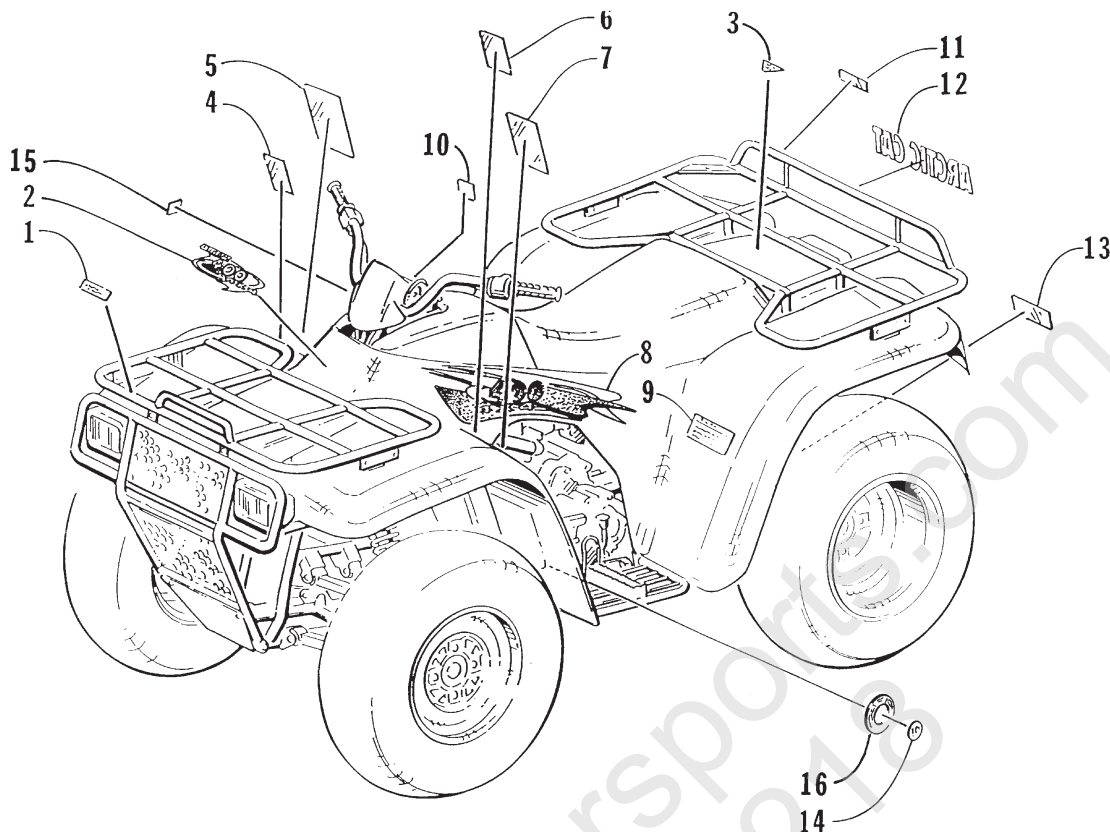


TAILLIGHT ASSEMBLY

(Complete Taillight Assembly p/n 0409-002)

0732-336

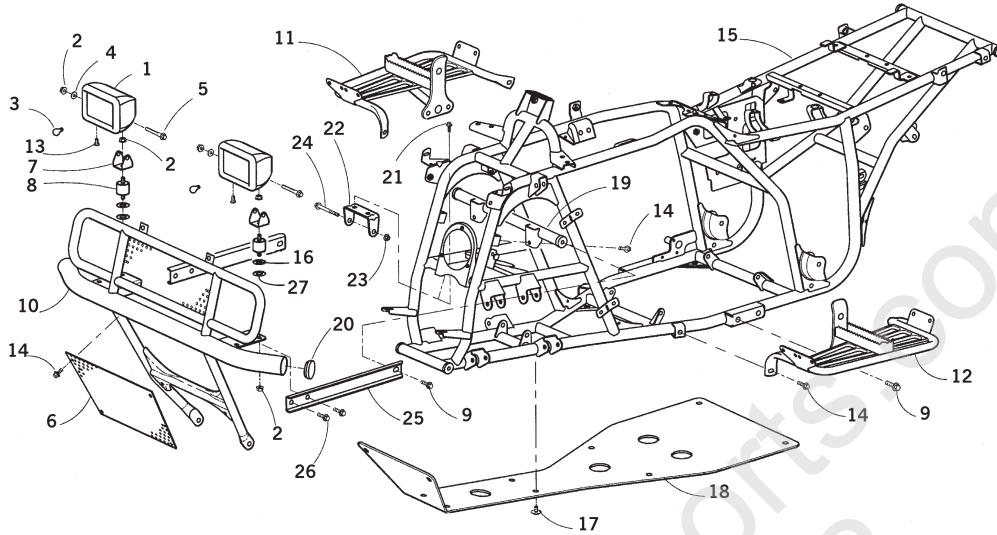
Ref.	Part No.	Qty.	Description	Ref.	Part No.	Qty.	Description
1	0109-460	1	Bulb, Stop - Taillight	5	0409-010	2	Screw, Machine
2	0409-011	1	Taillight w/Socket Assembly	6	0623-301	2	Screw, Self-Tapping
3	0409-012	1	Gasket, Taillight	7	8053-212	2	Washer, Lock - External Tooth
4	0409-007	1	Lens, Taillight				



DECALS

0734-277

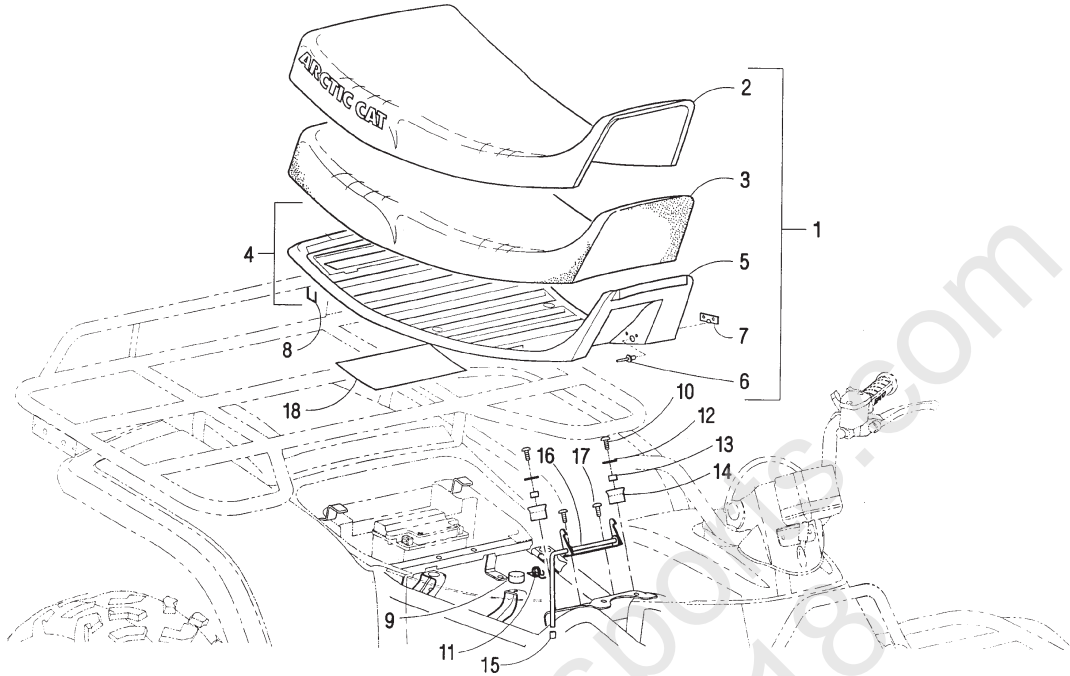
Ref.	Part No.	Qty.	Description	Ref.	Part No.	Qty.	Description
1	0411-006	1	Decal, Warning - Front Rack Load	0411-235	1	Decal, Side Left (400) Green	
2	0411-116	1	Decal, Front (400) (Bur)	0411-186	1	Decal, Side Right (500) Red	
	0411-120	1	Decal, Front (500) (Green)	0411-187	1	Decal, Side Left (500) Red	
	0411-233	1	Decal, Front (400) (Green)	9	0411-012	1	Decal, Warning - Tire Pressure (400)
	0411-188	1	Decal, Front (500) (Red)		<u>0411-180</u>	1	Decal, Warning - Tire Pressure (500)
3	3611-002	1	Decal, "Made In U.S.A."	10	0411-127	1	Decal, Fuel Valve (Bur)
4	0411-045	1	Decal, Warning - Turn		0411-126	1	Decal, Fuel Valve (Red)
5	0411-008	1	Decal, Warning Reverse/Pre-Ride		0411-125	1	Decal, Fuel Valve (Green)
6	0411-040	1	Decal, Warning - Age	11	0411-007	1	Decal, Warning - Rear Rack Load
7	0411-010	1	Decal, Warning - General	12	0411-043	1	Decal, "Arctic Cat"
8	0411-114	1	Decal, Side Right (400) (Bur)	13	0411-013	1	Decal, Warning - Towing
	0411-115	1	Decal, Side Left (400) (Bur)	14	0411-003	1	Decal, Shift Pattern
	0411-112	1	Decal, Side Right (500) (Green)	15	0411-011	1	Decal, Caution - Electrical
	0411-113	1	Decal, Side Left (500) (Green)	16	0411-009	1	Decal, Hi/Low Range
	0411-234	1	Decal, Side Right (400) Green				



FRAME AND RELATED PARTS

0735-385

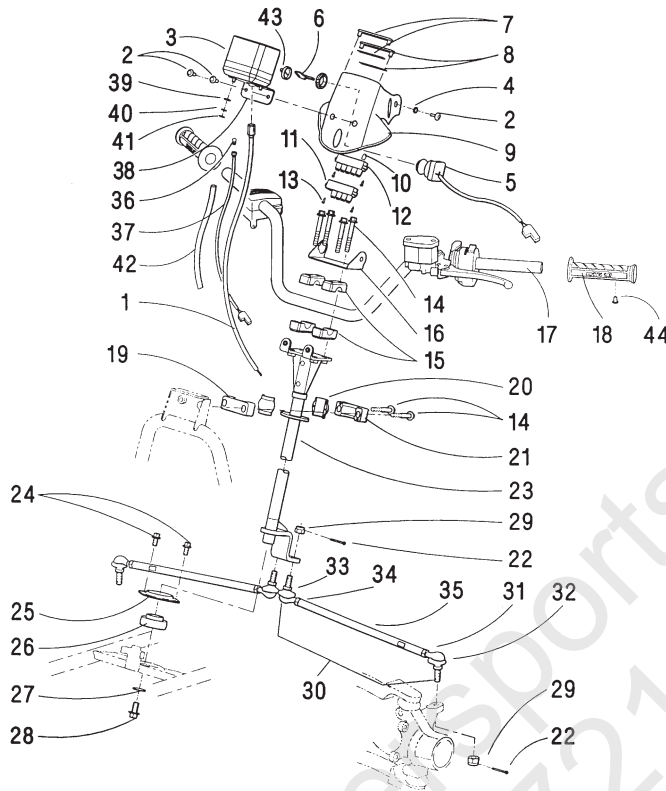
Ref. Part No.	Qty.	Description	Ref. Part No.	Qty.	Description		
1	0409-001	2	Headlight Assembly (inc. 3 and 13)	14	8408-816	8	Screw, Cap (400)
2	8424-802	6	Nut	14	8408-816	10	Screw, Cap (500)
3	0409-005	2	Bulb, Headlight	15	0506-133	1	Frame, Main
4	8053-242	2	Washer, Lock	16	0423-010	10	Washer, Shoulder
5	8408-850	2	Screw, Cap	17	0423-101	AR	Screw, Body - 6 mm
6	0406-390	1	Screen, Bumper - Lower (400)	18	0406-354	1	Panel, Belly
	0406-175	1	Screen, Bumper - Lower (500)	19	0506-079	1	Tube, Cross - Bumper (500)
7	0406-261	2	Yoke, Headlight	20	0406-130	2	Cap, Bumper
8	0406-262	2	Mount, Headlight	21	8408-820	2	Screw, Cap
9	8409-020	6	Screw, Cap (400)	22	0506-149	1	Bracket, Differential
	8409-020	8	Screw, Cap (500)	23	8428-002	1	Nut, Lock
10	0506-192	1	Guard, Brush (400)	24	3423-010	1	Screw, Cap
	0506-294	1	Guard, Brush (500)	25	0506-297	2	Channel, Bumper Mount (for Ref. No. 10)
11	0506-176	1	Footrest - Right	26	8408-812	4	Screw, Cap (for Ref. No. 10)
12	0506-177	1	Footrest - Left	27	3423-204	2	Washer
13	0123-590	2	Screw, Machine				



SEAT ASSEMBLY

0734-516 *Not a Service Part

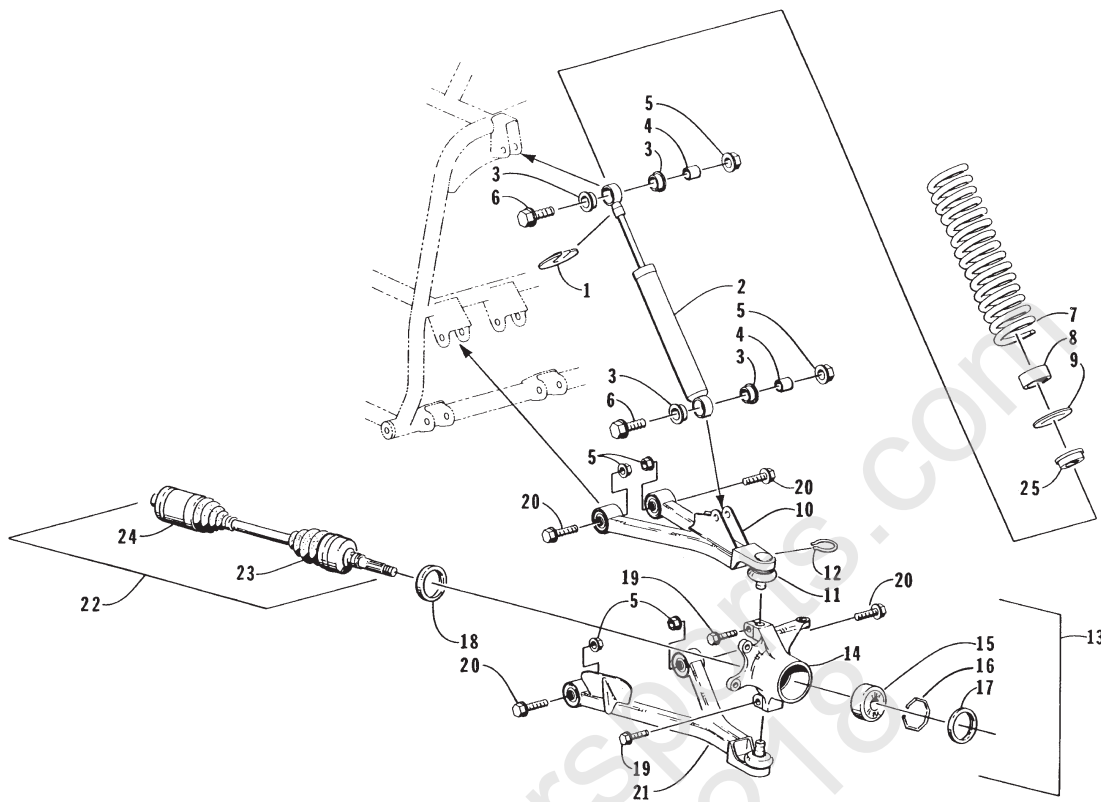
Ref.	Part No.	Qty.	Description	Ref.	Part No.	Qty.	Description
1	5990-176	1	Seat Assembly (inc. 2-8)	10	8476-620	2	Screw, Cap
2	0506-290	1	● Cover, Seat	11	0406-235	1	Spring, Seat Latch
3	0506-291	1	● Foam, Seat	12	8050-217	2	Washer
4	0506-223	1	● Base, Seat Assembly (inc. 5-7)	13	0406-199	2	Collar, Front Seat Base
5	*	1	●● Base, Seat	14	0406-171	2	Bumper, Seat Base - Front
6	8061-628	4	●● Rivet	15	0623-404	1	Cap, Protector
7	0506-147	2	●● Pin, Seat Base - Front	16	0406-103	1	Latch, Seat - Assembly
8	0624-100	AR	● Staple	17	8477-616	2	Screw, Machine
9	0406-309	2	Grommet, Seat - Center	18	0411-182	1	Decal, Cold Start



STEERING ASSEMBLY

0734-517

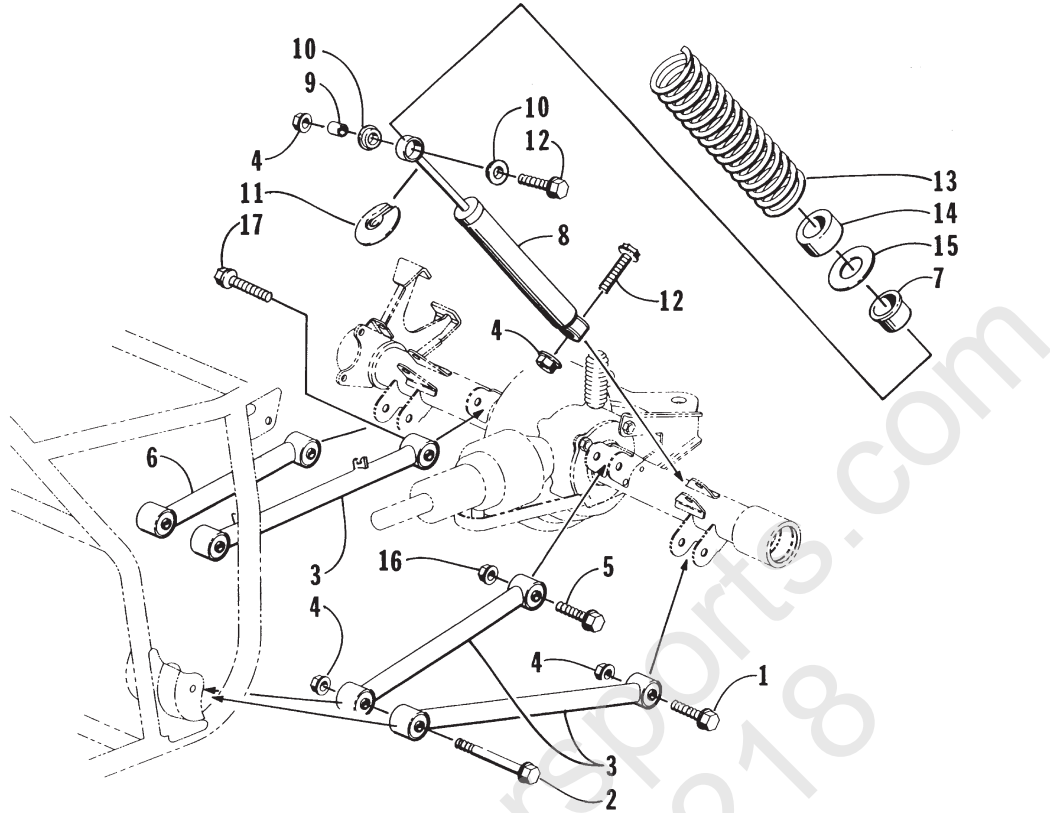
Ref.	Part No.	Qty.	Description	Ref.	Part No.	Qty.	Description
1	0487-005	1	Cable, Speedometer	23	0505-012	1	Post, Steering
2	8477-616	3	Screw, Machine	24	8408-816	2	Screw, Cap
3	0420-003	1	Speedometer (inc. 36 - 41)	25	0602-233	1	Flange, Bearing
4	0423-052	1	Collar, Body	26	0405-052	1	Bearing - w/Inverted Oil Seal
5	3430-013	1	Switch, Ignition - Assembly (inc. 6)	27	0423-073	1	Washer
6	3409-007	1	• Key, Ignition - Blank (C Series)	28	8409-020	1	Screw, Cap
	3409-011	1	• Key, Ignition - Blank (D Series)	29	8422-002	4	Nut, Hex Castle
7	0420-011	1	Bezel/Lens, Warning - Assembly	30	0505-021	2	Tie Rod, Assembly (inc. 31-35)
8	0420-012	1	Bezel/Lens, Shifting - Assembly	31	8420-002	2	• Nut - Right
9	0405-019	1	Instrument Pod	32	0405-040	2	• Ball Joint, Tie Rod - Right
10	0420-013	9	Bulb, Light Bar	33	0405-041	2	• Ball Joint, Tie Rod - Left
11	0420-001	1	Light, Warning - Assembly	34	0423-013	2	• Nut - Left
12	0420-004	1	Light, Shift Indicator - Assembly	35	0405-032	2	• Tie Rod
13	0123-950	4	Screw, Self-Tapping	36	0620-149	1	Bulb, Speedometer
14	8408-860	6	Screw, Cap	37	0420-014	1	Harness, Speedometer
15	0405-035	4	Cap, Steering Adjuster	38	0420-018	1	Bracket, Speedometer
16	0506-139	1	Bracket, Key Switch	39	0420-016	2	Mount, Rubber
17	0505-028	1	Tube, Handlebar	40	0420-017	2	Washer
18	0405-039	2	Grip, Handlebar	41	0420-015	2	Pin, Retainer
19	0605-171	1	Housing, Bearing - Lower	42	0423-067	1	Tube, Loom
20	0405-020	2	Bearing, Steering Post	43	0409-013	1	Cover, Key
21	0705-064	1	Housing, Bearing - Upper	44	8060-428	2	Rivet
22	0623-175	4	Pin, Cotter				



FRONT SUSPENSION ASSEMBLY

0732-344

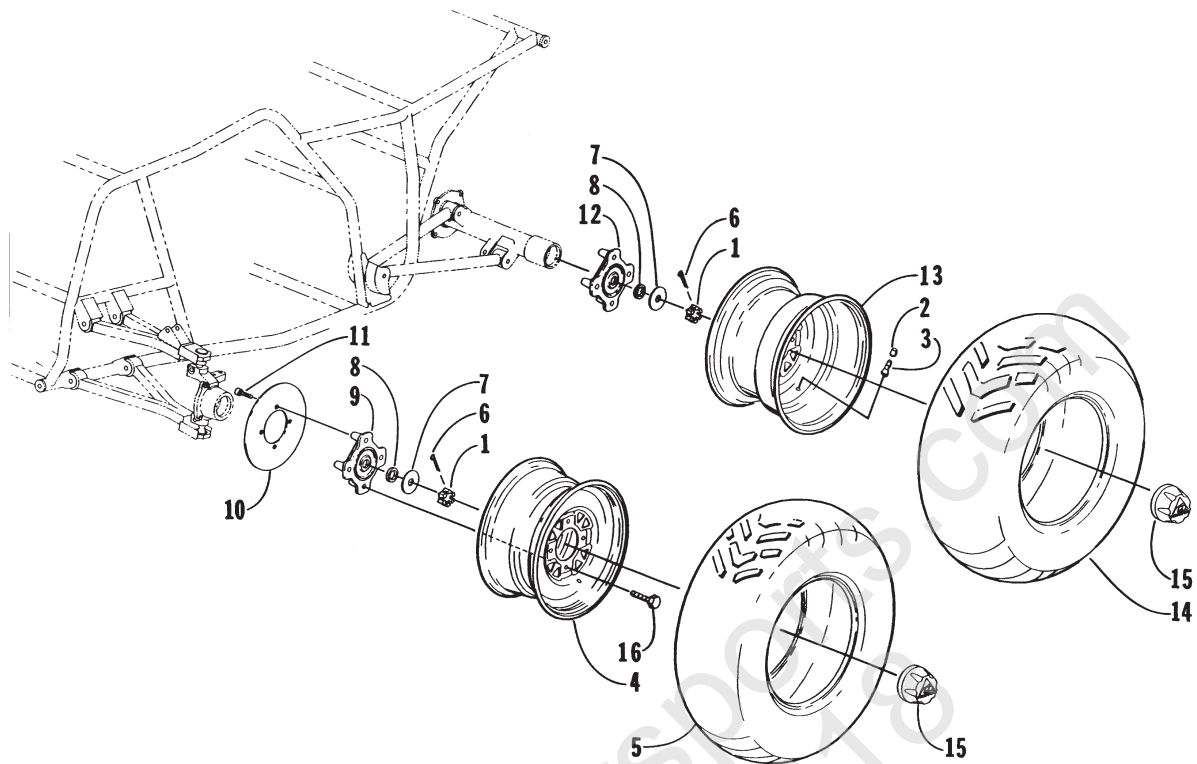
Ref.	Part No.	Qty.	Description	Ref.	Part No.	Qty.	Description
1	0603-033	2	Retainer, Spring	14	0505-024	1	● Knuckle, Steering - Right
2	0403-001	2	Shock Absorber - Front (inc. 3-4)	15	0402-275	2	● Bearing, Wheel Hub - Front
3	0604-310	8	● Bushing, Shock Absorber	16	0423-034	2	● Clip, Bearing
4	0403-028	4	● Sleeve, Shock	17	0402-089	2	● Seal, Wheel Bearing - Front
5	8428-002	12	Nut, Lock	18	0402-069	2	● Seal, Wheel Bearing - Front
6	8409-040	4	Screw, Cap	19	8409-030	4	Screw, Cap
7	0403-002	2	Spring, Shock Absorber	20	8409-060	8	Screw, Cap
8	0403-025	2	Collar, Spring	21	0503-012	1	A-Arm, Lower Right (inc. one No. 11-12)
9	0403-013	2	Washer, Spring	22	0503-013	1	A-Arm, Lower Left (inc. one No. 11-12)
10	0503-026	1	A-Arm, Upper Right - Assembly (inc. one No. 11-12)	23	0402-179	2	Axle, Drive - Front
	0503-027	1	A-Arm, Upper Left - Assembly (inc. one No. 11-12)	24	0436-114	2	Repair Kit, Outer Boot - Front Axle
11	0405-001	4	● Ball Joint - Front	25	0436-113	2	Repair Kit, Inner Boot - Front Axle
12	0423-009	4	● Clip, Ball Joint		0403-027	2	Retainer, Spring - Lower
13	0505-026	1	Knuckle - Assembly - Right (inc. 14 and one No. 15-18)				
	0505-027	1	Knuckle - Assembly - Left (inc. 14 and one No. 15-18)				



REAR SUSPENSION ASSEMBLY

0733-399

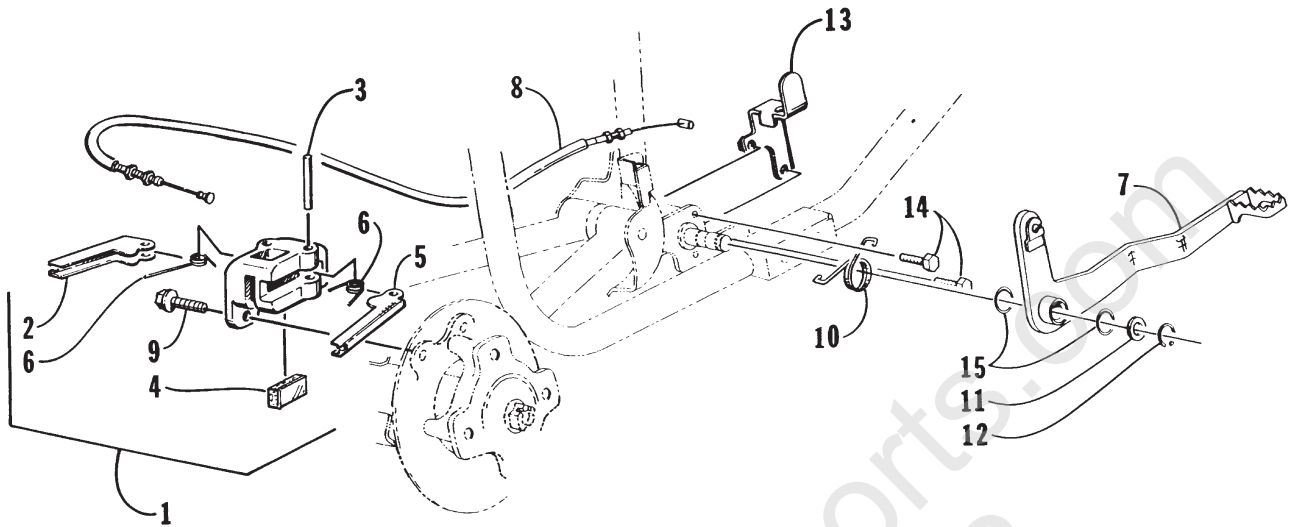
Ref.	Part No.	Qty.	Description	Ref.	Part No.	Qty.	Description
1	8409-060	2	Screw, Cap	9	0403-028	4	• Sleeve, Shock
2	8409-000	2	Screw, Cap	10	0604-310	8	• Bushing, Shock Absorber
3	0504-001	3	Arm, Swing	11	0603-033	2	Retainer, Spring
4	8428-002	8	Nut, Lock	12	8409-040	4	Screw, Cap
5	8409-055	1	Screw, Cap	13	0404-006	2	Spring, Shock Absorber
6	0504-005	1	Arm, Swing	14	0403-025	2	Collar, Spring
7	0403-027	2	Retainer, Spring - Lower	15	0403-013	2	Washer, Spring Adjustment
8	0404-001	2	Shock Absorber - Rear (inc. two No. 9 and four No. 10)	16	8422-002	1	Nut, Lock
				17	8409-065	1	Screw, Cap



WHEEL AND TIRE ASSEMBLY

0733-366

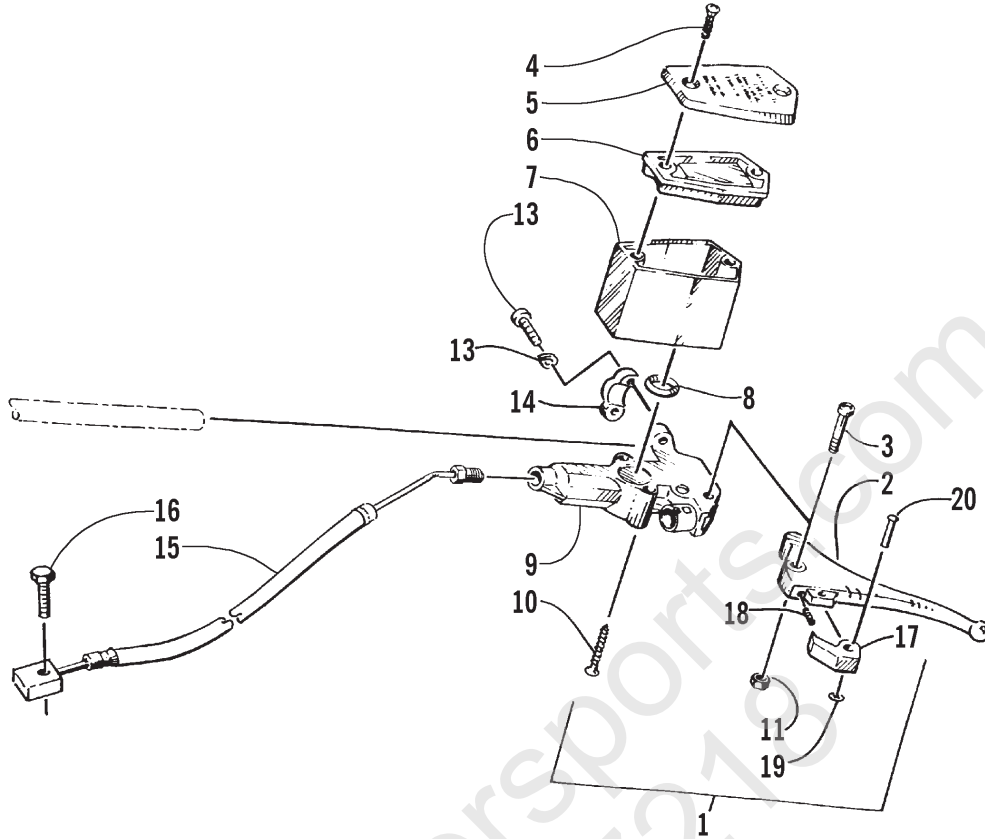
Ref.	Part No.	Qty.	Description	Ref.	Part No.	Qty.	Description
1	3423-213	4	Nut, Hex	10	0402-009	3	Disc, Brake
2	0402-140	4	Cap, Valve Stem	11	0423-029	12	Screw, Machine
3	0402-064	4	Valve, Stem	12	0502-042	2	Hub, Wheel - Rear
4	0402-215	2	Wheel - Front	13	0402-224	2	Wheel - Rear (400)
5	0402-176	2	Tire - Front (400)		0402-311	2	Wheel - Rear (500)
	0402-277	4	Tire (500)	14	0402-319	2	Tire - Rear (400)
6	0123-458	4	Pin, Cotter		0402-277	2	Tire - Rear (500)
7	0423-080	4	Washer	15	0403-035	4	Cap, Wheel - Center
8	0402-181	4	Seal, Hub	16	8409-020	16	Screw, Cap
9	0502-041	2	Hub, Wheel - Front				



MECHANICAL BRAKE ASSEMBLY

0733-403

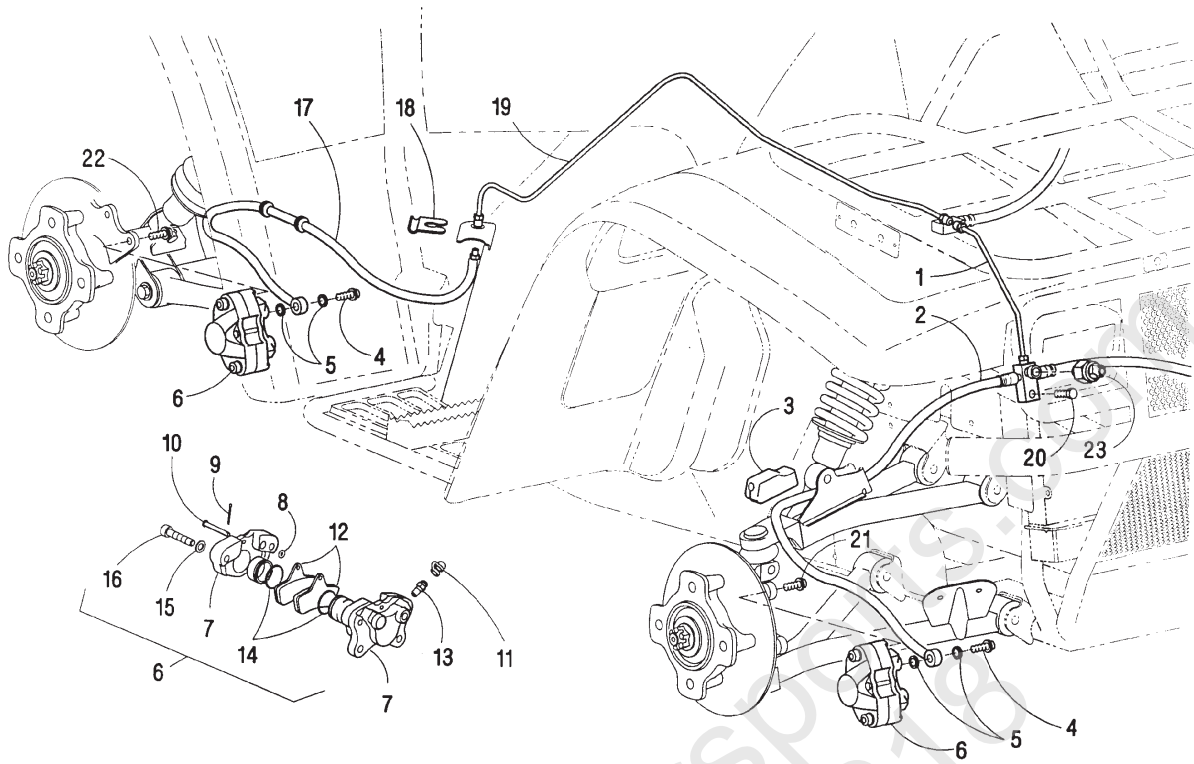
Ref.	Part No.	Qty.	Description	Ref.	Part No.	Qty.	Description
1	0502-048	1	Mechanical Brake Assembly (inc. 2-6)	9	8408-820	2	Screw, Cap
2	0402-206	1	• Arm, Inner	10	0402-161	1	Spring, Foot Brake
3	0402-208	2	• Pin, Arm	11	0423-027	1	Washer, Brake Lever
4	0402-210	2	• Pad, Mechanical Brake	12	0623-237	1	Ring, Snap
5	0402-207	1	• Arm, Outer	13	0502-056	1	Bracket, Brake Switch
6	0402-209	2	• Spring, Arm	14	8476-616	2	Screw, Cap
7	0502-095	1	Lever, Foot Brake	15	0670-183	2	O-Ring
8	0487-006	1	Cable, Brake - Rear				



HYDRAULIC BRAKE CONTROL ASSEMBLY

0733-434 *Not a Service Part

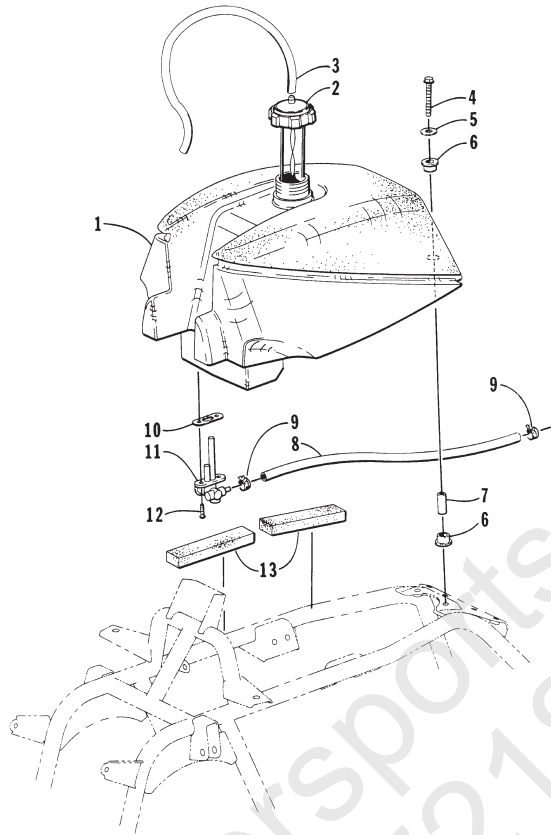
Ref.	Part No.	Qty.	Description	Ref.	Part No.	Qty.	Description
1	0502-061	1	Brake, Lever - Assembly (inc. 2 - 14 and 17 - 20)	11	0623-056	1	• Nut, Lock
2	0402-242	1	• Lever, Brake	12	8052-212	2	• Washer, Lock
3	0623-430	1	• Bolt, Lever Mounting	13	0623-613	2	• Screw, Clamp
4	0623-506	2	• Screw, Cover - Master Cylinder	14	0602-907	1	• Clamp
5	0602-742	1	• Cover, Master Cylinder	15	0402-050	1	Hose, Master Cylinder
6	0602-741	1	• Gasket, Cover - Master Cylinder	16	8476-625	1	Screw, Cap
7	0602-740	1	• Reservoir, Hydraulic Brake	17	0402-240	1	Lever, Brake Lock
8	0602-587	1	• O-Ring, Reservoir	18	0402-245	1	Spring
9	*	1	• Master Cylinder	19	0423-090	1	Nut, Press
10	0623-432	2	• Screw, Reservoir Mount	20	0402-246	1	Pin



HYDRAULIC BRAKE ASSEMBLY

0734-518 * Not a Service Part

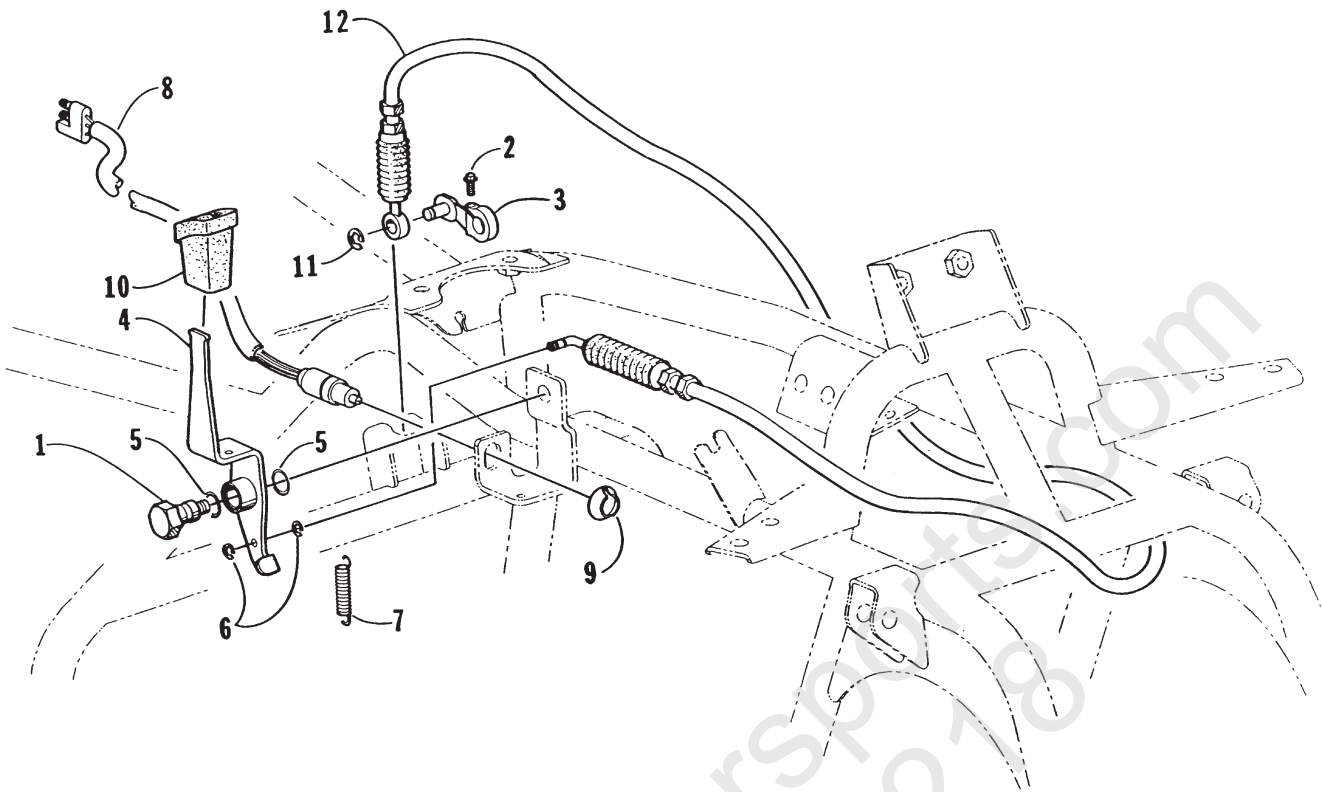
Ref.	Part No.	Qty.	Description	Ref.	Part No.	Qty.	Description
1	0402-053	1	Tube, Brake Line - Front	11	0402-143	3	• Cap, Bleeder Valve
2	0402-051	1	Hose, Brake - Front (400)	12	0402-096	6	• Pad, Hydraulic Brake
	0402-307	1	Hose, Brake - Front (500)	13	0402-167	3	• Valve, Bleeder
3	0402-073	2	Block, Mounting	14	0402-299	6	• O-Ring, Hydraulic Brake Caliper
4	0423-038	3	Bolt, Oil	15	0402-165	6	• Washer
5	0423-039	6	Washer, Crush	16	0402-166	6	• Screw, Socket Head
6	0402-300	1	Caliper, Brake - Right Front (inc. 7-13 and two No. 14-16)	17	0402-184	1	Hose, Brake - Rear
	0402-301	2	Caliper, Brake - Left Front and Rear (inc. 7-13 and two No. 14-16)	18	0402-115	1	Clip, Brake Line
7	*	3	• Housing, Caliper	19	0402-054	1	Tube, Brake Line - Rear
8	0402-164	3	• O-Ring	20	8476-625	1	Screw, Cap
9	0117-868	3	• Pin, Cotter	21	8408-825	4	Screw, Cap
10	0402-142	3	• Pin, Hydraulic Brake Caliper	22	8408-820	2	Screw, Cap
				23	0402-306	1	Switch, Brake Pressure (500)



FUEL TANK ASSEMBLY

0732-346 * Not a Service Part

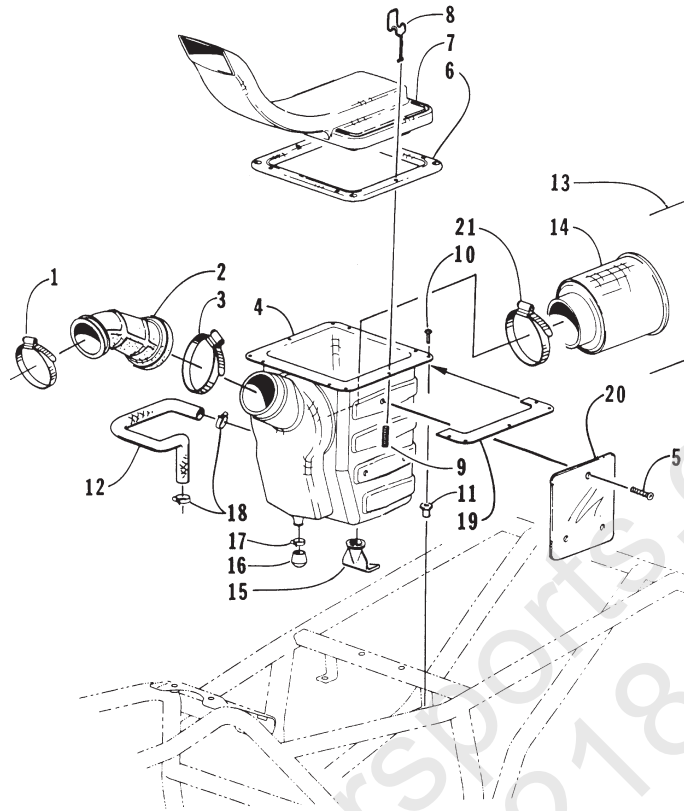
Ref.	Part No.	Qty.	Description	Ref.	Part No.	Qty.	Description
1	0570-012	1	Tank, Fuel (inc. 2-3 and 8-12)	8	0610-007	AR	Line, Fuel
2	0470-315	1	● Cap, Fuel Tank (inc. 3)	9	0423-048	2	Clamp, Hose - Spring
3	0470-316	1	●● Line, Fuel Cap Vent	10	*	1	Gasket, Fuel
4	8476-650	2	Screw, Cap	11	0470-363	1	Valve, Shut-Off (inc. 10)
5	0623-184	2	Washer	12	8471-616	2	Screw, Cap
6	0406-169	4	Bushing, Fuel Tank Mount	13	0417-001	4	Pad, Fuel Tank
7	0406-170	2	Collar, Fuel Tank Mount				



REVERSE SHIFT LEVER ASSEMBLY

0733-405

Ref.	Part No.	Qty.	Description	Ref.	Part No.	Qty.	Description
1	0402-239	1	Axle, Reverse Shift	7	0402-136	1	Spring, Reverse Lever
2	8476-616	1	Screw, Cap	8	0409-008	1	Reverse Switch
3	3446-055	1	Arm, Reverse Shift	9	0402-168	1	Retainer, Switch
4	0502-059	1	Lever, Reverse	10	0402-062	1	Knob, Reverse Shift Lever
5	0423-096	2	O-Ring	11	3423-168	1	E-Ring
6	0423-063	2	E-Ring	12	0487-003	1	Cable, Shift

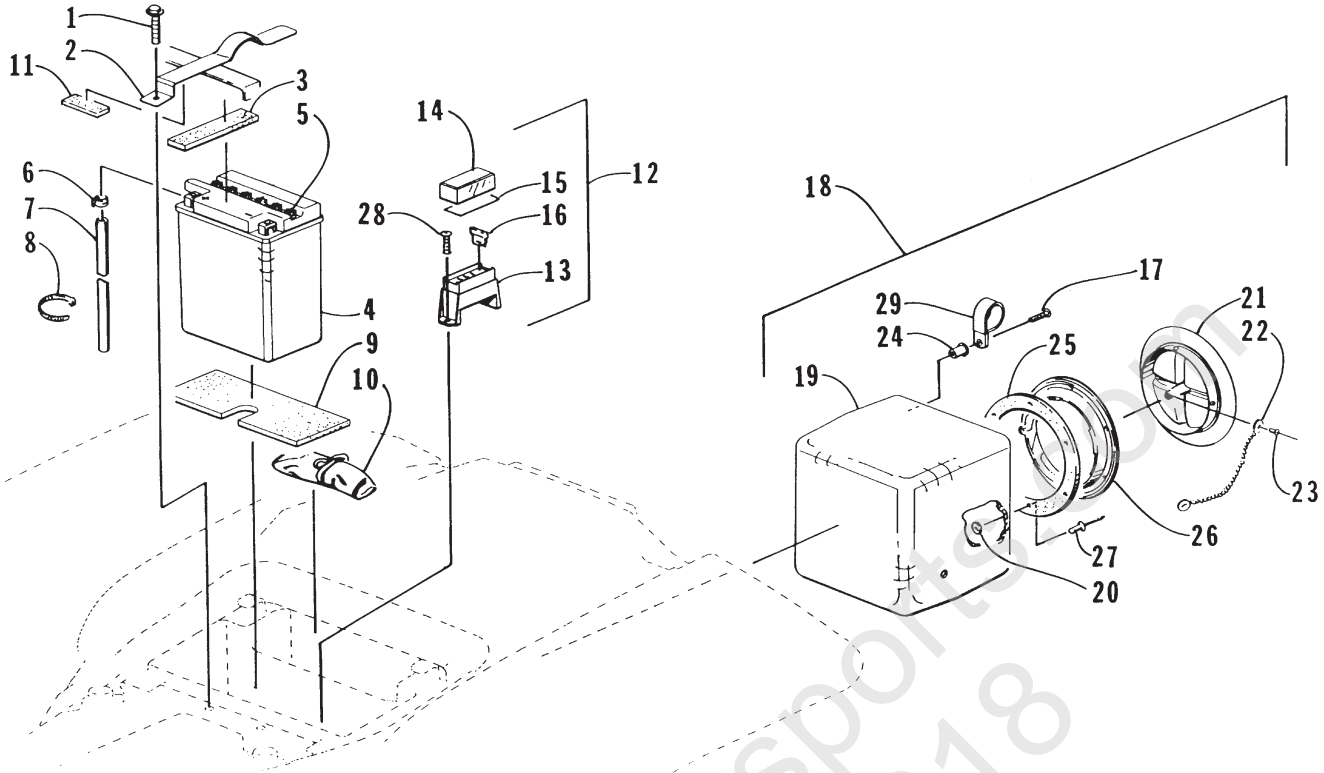


AIR INTAKE ASSEMBLY

0733-406

Ref.	Part No.	Qty.	Description	Ref.	Part No.	Qty.	Description
1	0423-066	1	Clamp	12	0410-004	1	Hose, Crankcase Vent
2	0470-305	1	Boot, Air Cleaner	13	0470-322	1	Filter, Air Cleaner (inc. 14)
3	0423-018	1	Clamp	14	0470-332	1	• Sleeve, Filter
4	0470-337	1	Housing, Air Cleaner	15	0470-309	1	Valve, Air Cleaner
5	0623-301	3	Screw, Self-Tapping	16	1673-272	1	Cap, Fitting - Air Cleaner
6	0470-343	1	Gasket, Air Cleaner	17	0423-047	1	Clamp, Hose
7	0470-342	1	Snorkel, Air Cleaner	18	0423-045	2	Clamp, Hose - Spring
8	0470-307	4	Clamp, Air Cleaner	19	0470-351	2	Support, Air Cleaner Flange
9	0423-037	4	Spring, Air Cleaner	20	0406-356	1	Plate, Heat - Air Intake
10	0623-121	4	Screw, Machine	21	0423-082	1	Clamp, Air Cleaner
11	0123-010	4	Nut, Expansion				

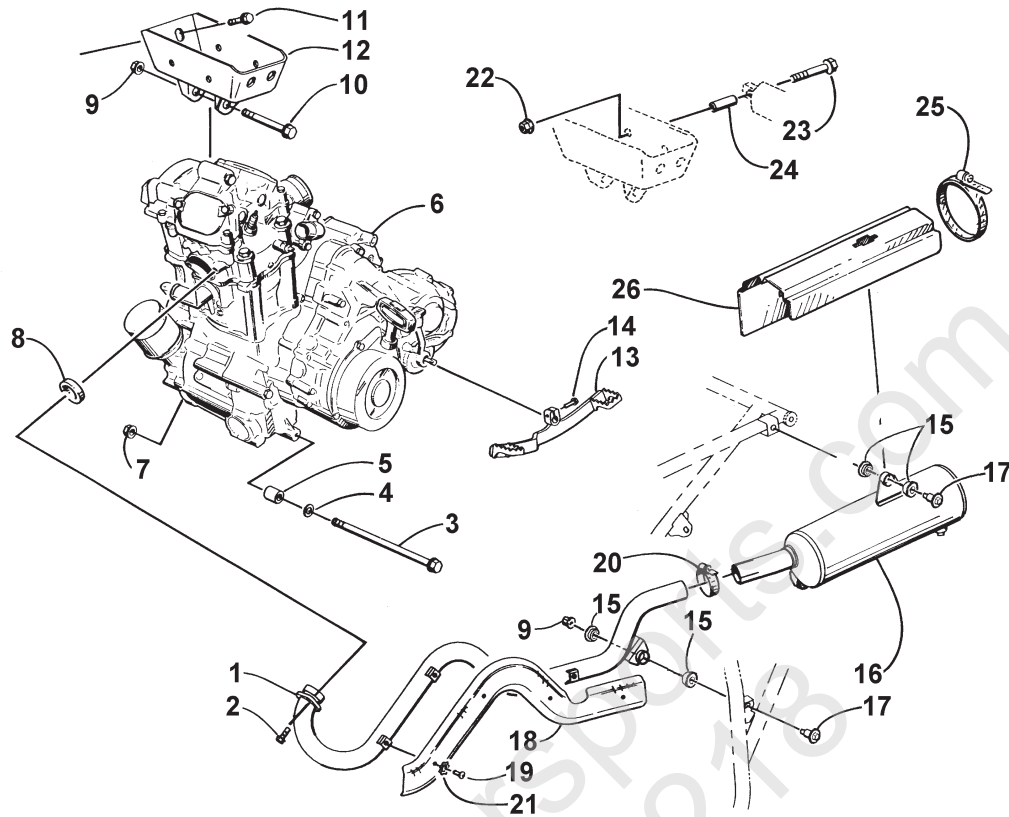
1999 400 4x4
1999 500 4x4



STORAGE BOX AND BATTERY ASSEMBLY

0733-407 * Not a Service Part

Ref. Part No.	Qty.	Description	Ref. Part No.	Qty.	Description		
1	8476-616	1	Screw, Cap	16	0630-057	3	• Fuse, 10 AMP
2	0506-178	1	Strap, Battery - w/Pads (inc. 3 and 11)	17	0123-549	4	• Fuse, 15 AMP
3	0406-289	2	• Pad, Battery - Upper Rear	18	0506-102	1	Storage Box - Assembly (inc. 19-27)
4	0445-005	1	Battery Assembly (inc. 5-7)	19	0406-257	1	• Box, Tool
5	0645-045	6	• Cap, Battery	20	8050-152	6	• Washer
6	0645-152	1	• Clamp, Hose	21	0406-208	1	• Lid, Tool Box
7	0645-263	1	• Hose, Battery Vent	22	0773-401	1	• Chain, Storage
8	0123-903	AR	Tie, Cable	23	8061-223	2	• Rivet
9	0406-227	1	Pad, Battery - Lower	24	0123-010	4	• Nut, Expansion
10	0444-079	1	Kit, Tool	25	0673-973	1	• Seal, Storage Cover
11	0406-288	1	Pad, Battery - Upper Front	26	0406-205	1	• Ring, Mounting - Storage Box Lid
12	0530-001	1	Fuse Box - Assembly (inc. 13-16)	27	8060-630	6	• Rivet
13	*	1	• Block, Fuse	28	0623-301	2	Screw, Self-Tapping
14	*	1	• Lid, Fuse Block	29	0423-044	4	Clamp, Tube
15	0411-042	1	• Decal, Fuse Block				

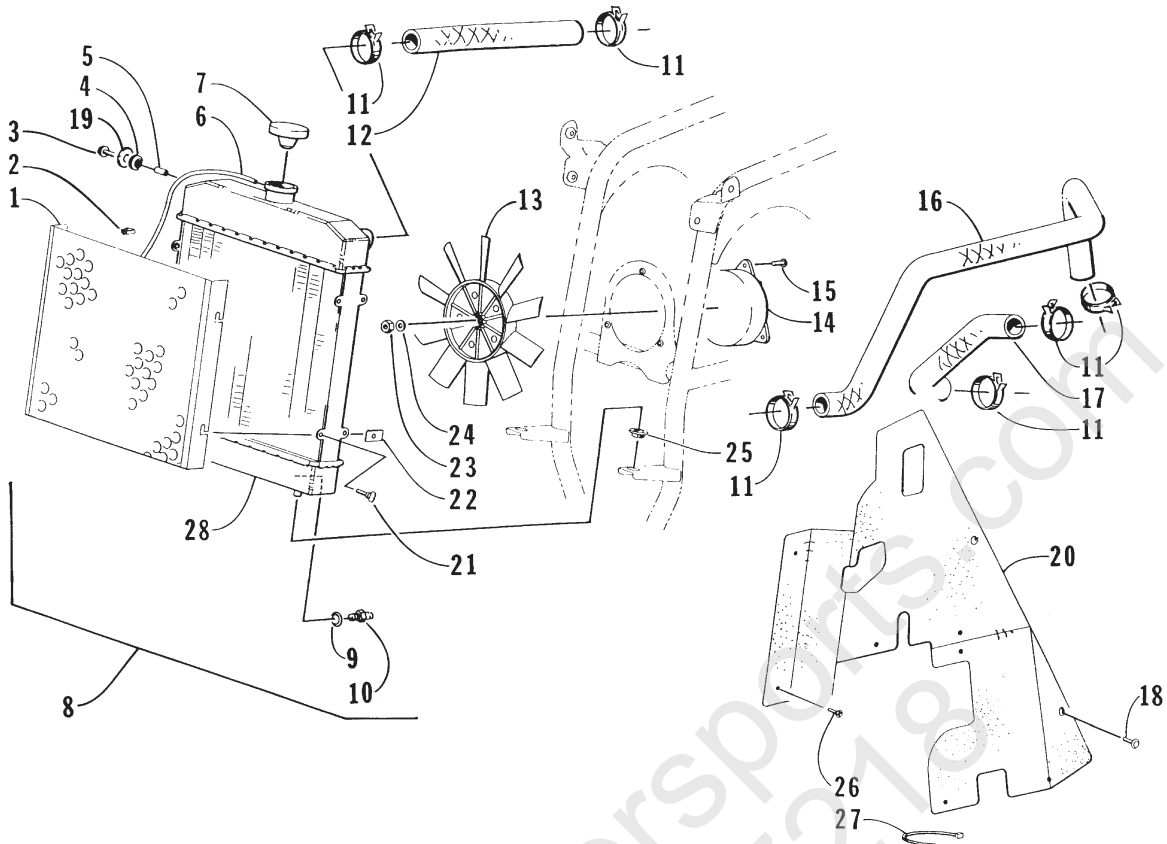


ENGINE AND EXHAUST

0735-760

Ref.	Part No.	Qty.	Description	Ref.	Part No.	Qty.	Description
1	0512-001	1	Pipe, Exhaust	14	8476-620	1	Screw, Cap
2	8408-820	2	Screw, Cap	15	0412-033	6	Bushing, Rubber
3	3423-009	2	Screw, Cap	16	0412-005	1	Muffler
4	0423-050	3	Washer, Engine	17	0423-106	3	Screw, Cap
5	0423-042	1	Spacer, Engine	18	0406-224	1	Cover, Exhaust
6	0462-010	1	Engine (400)	19	8477-610	4	Screw, Machine
	0462-011	1	Engine (500)	20	0214-015	1	Clamp
7	8428-002	2	Nut, Lock	21	8053-211	4	Washer, Star
8	0412-007	1	Seal, Exhaust	22	8424-602	2	Nut
9	8424-802	2	Nut	23	8476-640	2	Screw, Cap
10	8408-860	1	Screw, Cap	24	0107-630	2	Spacer
11	8408-816	4	Screw, Cap	25	0423-079	2	Clamp, Hose
12	0506-083	1	Bracket, Upper Engine	26	0406-298	1	Plate, Heat - Muffler
13	0502-016	1	Lever, Shift				

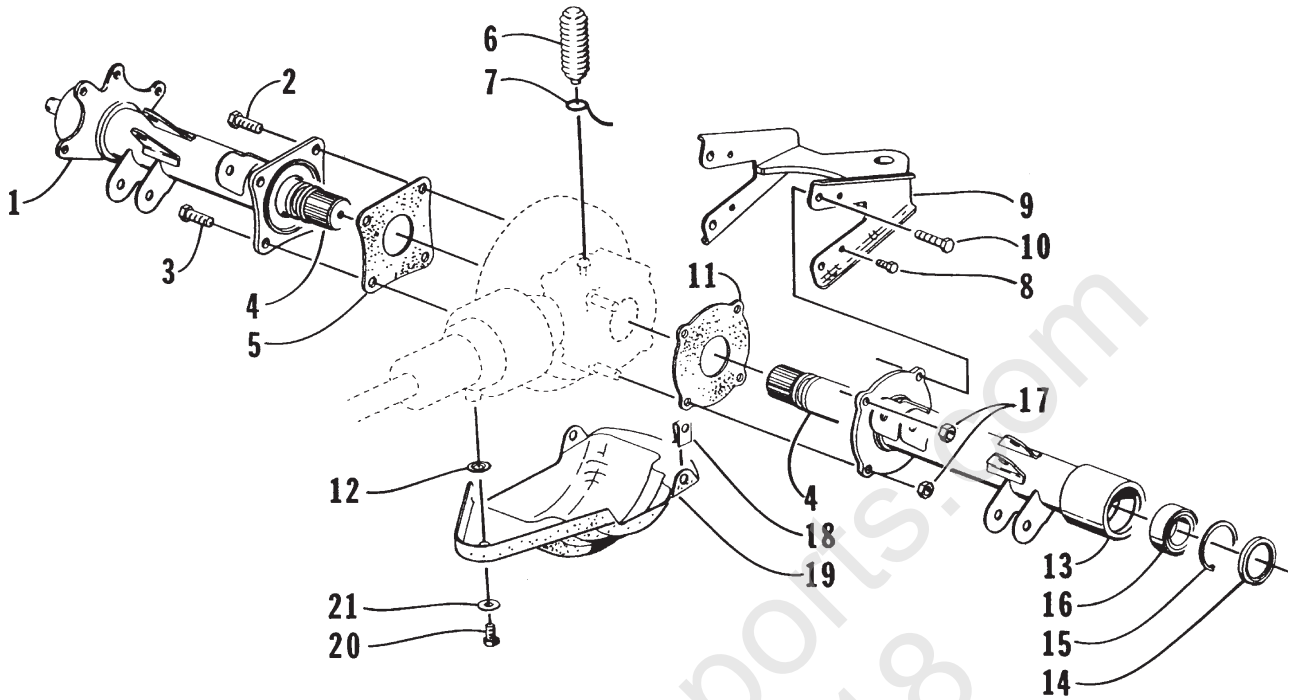
1999 400 4x4
1999 500 4x4



COOLING ASSEMBLY

0735-755 * Not a Service Part

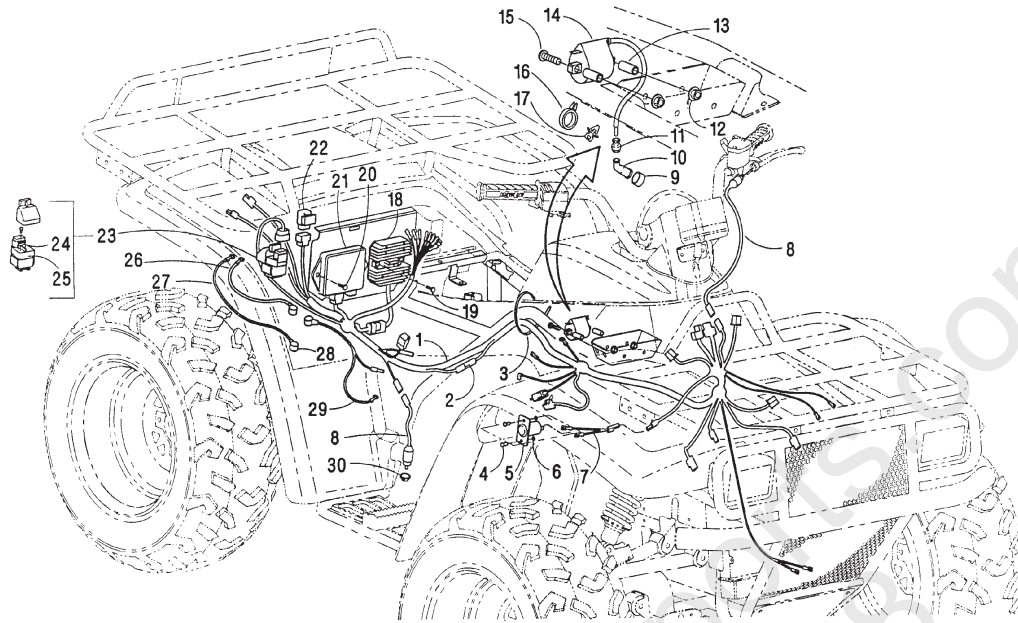
Ref.	Part No.	Qty.	Description	Ref.	Part No.	Qty.	Description
1	0413-007	1	Screen, Radiator	15	8474-516	3	Screw, Machine
2	3002-964	2	Clamp, Wire	16	0410-001	1	Hose, Coolant - Lower
3	8476-620	2	Screw, Cap	17	0410-003	1	Hose, Coolant - Crossover
4	0423-030	2	Grommet	18	0423-101	4	Screw, Body
5	0423-036	2	Collar	19	0623-184	2	Washer
6	0610-016	AR	Hose - 25 ft	20	0406-200	2	Panel, Fender - Inner
7	0413-002	1	Cap, Radiator	21	0413-009	4	Screw, Thumb
8	0413-001	1	Radiator Assembly (inc. 1, 4, 7, 9-10, 21, and 28)	22	0423-031	4	Nut, Speed
9	0423-062	1	• O-Ring	23	0423-056	1	Nut - Left
10	0430-010	1	• Switch, Temperature Sensor	24	8050-252	1	Washer
11	0423-070	6	Clamp, Hose	25	0423-028	2	Bushing, Stem
12	0410-002	1	Hose, Coolant - Upper	26	8477-616	4	Screw, Machine
13	0413-006	1	Blade, Fan	27	0123-788	8	Tie, Cable
14	0413-004	1	Motor, Fan	28	*	1	Radiator



REAR AXLE ASSEMBLY

0733-408

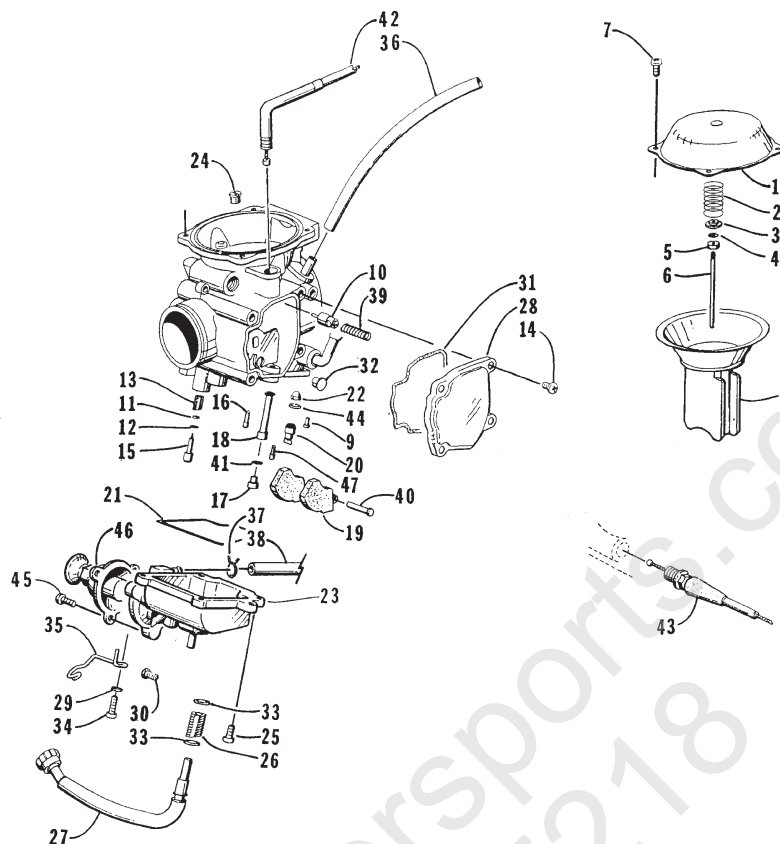
Ref.	Part No.	Qty.	Description	Ref.	Part No.	Qty.	Description
1	0502-080	1	Housing, Axle - Rear Right	12	0423-010	1	Washer, Shoulder
2	8409-030	3	Screw, Cap	13	0502-081	1	Housing, Axle - Rear Left
3	8409-025	1	Screw, Cap	14	0402-068	2	Seal
4	0402-191	2	Axle - Rear	15	0423-033	2	C-Clip
5	0402-139	1	Gasket, Rear Axle	16	0402-003	2	Bearing, Wheel Hub - Rear
6	0402-147	1	Bladder, Case	17	8424-802	2	Nut
7	0123-811	1	Tie, Cable	18	0423-031	2	Nut, Speed
8	8476-616	2	Screw, Cap	19	0406-097	1	Panel, Gear Case - Rear
9	0506-135	1	Hitch, Trailer	20	8408-816	1	Screw, Cap
10	8408-840	2	Screw, Cap	21	8050-252	1	Washer
11	0402-138	1	Gasket, Rear Axle				



WIRING HARNESS ASSEMBLY

0734-519

Ref.	Part No.	Qty.	Description	Ref.	Part No.	Qty.	Description
1	0486-020	1	Harness, Main (500)	16	0423-075	3	Tie, Cable - Push Mount
	0486-007	1	Harness, Main (400)	17	0423-065	1	Base, Wire Tie
2	0486-029	1	Diode (500)	18	3430-037	1	Regulator, Voltage
3	0123-903	AR	Tie, Cable	19	8476-625	2	Screw, Cap
4	8060-428	2	Rivet	20	8476-616	2	Screw, Cap
5	0445-001	1	Receptacle, 12V	21	3530-003	1	CDI Unit
6	0123-149	2	Washer	22	3530-008	1	Relay, Neutral Start - Assembly
7	0486-004	1	Harness, 12V Receptacle	23	3530-001	1	Relay, Starter Motor - Assembly (inc. 25)
8	0409-009	2	Switch, Brake - Assembly	24	3423-020	2	Screw, Cap
9	3430-008	1	Seal, Spark Plug	25	0630-098	1	Fuse, 30 Amp
10	3430-007	1	Cap, Spark Plug	26	0445-003	1	Cable, Battery/Electric Start Relay
11	3430-009	1	Seal, High Tension Cord	27	0445-004	1	Cable, Battery/Electric Start
12	8424-602	2	Nut	28	0645-019	3	Boot, Terminal
13	0107-630	2	Spacer	29	0445-002	1	Cable, Battery/Ground
14	3530-004	1	Coil, Ignition - Assembly	30	0402-168	1	Retainer, Switch
15	8476-640	2	Screw, Cap				

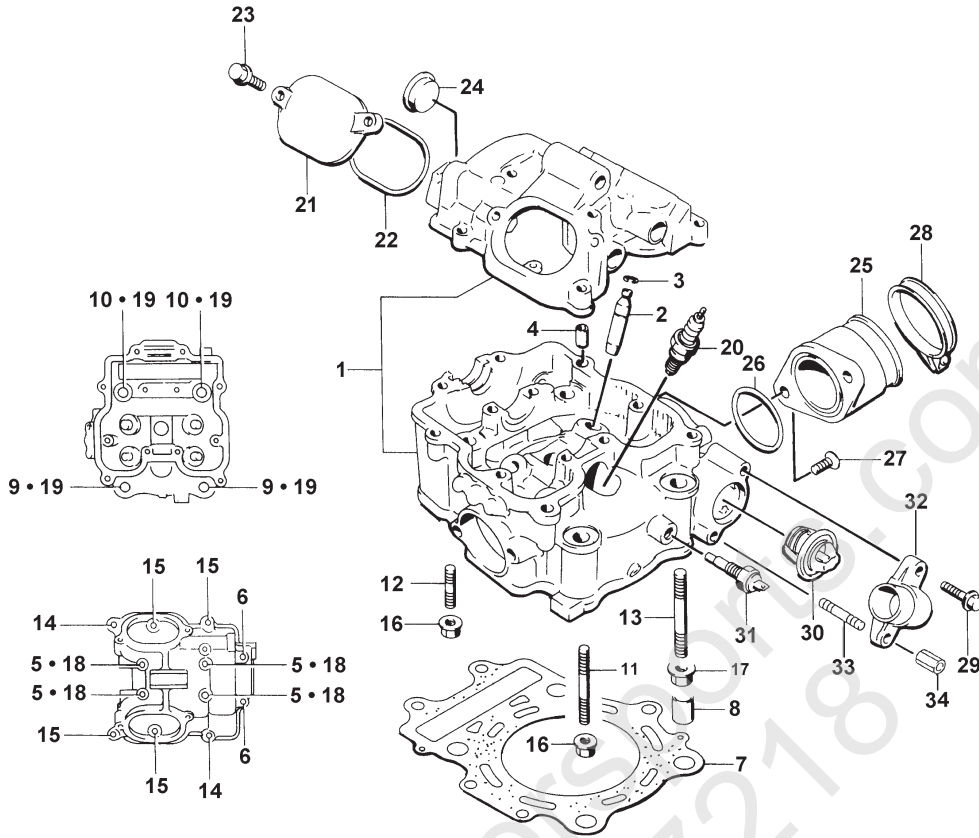


CARBURETOR

0734-298

Complete Assembly p/n 0470-362 (400); 0470-361 (500)

Ref.	Part No.	Qty.	Description	Ref.	Part No.	Qty.	Description
1	4505-001	1	Cover Assembly	21	4505-044	1	O-Ring, Bowl
2	4505-002	1	Spring (400)	22	4505-045	1	Filter
	4505-046	1	Spring (500)	23	4505-049	1	Chamber, Float
3	4505-003	1	Ring	24	4505-086	1	Jet, Pilot - Air (400)
4	4505-004	1	E-Ring		4505-038	1	Jet, Pilot - Air (500)
5	4505-005	1	Ring	25	4505-025	3	Screw
6	4505-082	1	Jet Needle (400)	26	4505-026	1	Spring
	4505-020	1	Jet Needle (500)	27	4505-027	1	Cable Adjust - Assembly
7	4505-007	4	Screw	28	4505-028	1	Cover
8	4505-103	1	Diaphragm (400)	29	4505-029	1	Washer
	4505-008	1	Diaphragm (500)	30	4505-030	1	Screw
9	4505-009	1	Screw	31	4505-031	1	O-Ring
10	4505-078	1	Plunger Assembly (400)	32	4505-032	1	Guide, Cable
	4505-010	1	Plunger Assembly (500)	33	4505-033	2	Washer
11	4505-011	1	O-Ring	34	4505-042	1	Screw
12	4505-012	1	Washer	35	4505-034	1	Clip
13	4505-013	1	Spring	36	4505-035	2	Hose
14	4505-014	4	Screw	37	4505-053	2	Clip
15	4505-066	1	Screw, Pilot (400)	38	4505-052	1	Hose
	4505-016	1	Screw, Pilot (500)	39	4505-039	1	Spring
16	4505-059	1	Jet, Pilot 45 (400)	40	6505-153	1	Pin
	4505-098	1	Jet, Pilot 55 (500)	41	6505-006	1	Washer
17	4505-080	1	Jet, Main 150	42	0487-001	1	Cable, Throttle
	4505-047	1	Jet, Main 145	43	0487-002	1	Cable, Choke
18	4505-100	1	Needle Jet O-2 (400)	44	6505-875	1	O-Ring
	4505-006	1	Needle Jet O-4 (500)	45	4505-051	3	Screw, Cap
19	4505-021	1	Float Assembly	46	4505-050	1	Cover Assembly, Primer
20	4505-022	1	Seat, Valve 2.0 (400) (With Needle)				
	4505-102	1	Seat, Valve 2.3 (500) (With Needle)				

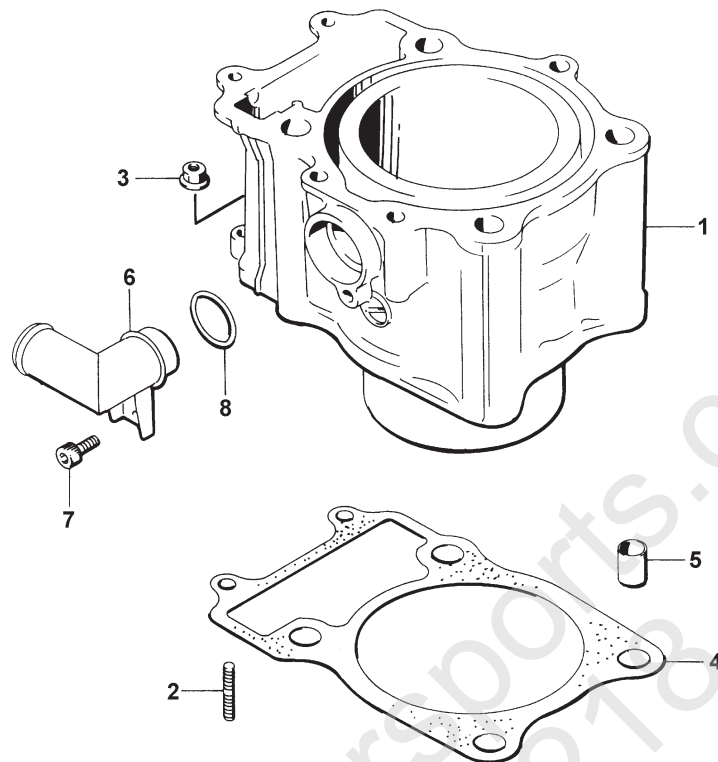


CYLINDER HEAD ASSEMBLY

Complete Gasket Set p/n 3402-107 (400); 3402-370 (500)

0734-324 * Not Illustrated

Ref.	Part No.	Qty.	Description	Ref.	Part No.	Qty.	Description
1	3402-098	1	Head, Cylinder - Assembly (inc. 2-6) (400)	21	3402-100	2	Cap, Inspection
	<u>3402-361</u>	1	Head, Cylinder - Assembly (inc. 2-6) (500)	22	3402-101	2	O-Ring
2	3402-099	4	• Guide, Valve	23	3004-341	4	Screw, Cap
3	3423-068	4	• Circlip	24	3402-035	1	Plug, Cylinder Head
4	3423-043	2	• Pin	25	3402-149	1	Pipe, Intake - Assembly (inc. 26) (400)
5	3423-006	4	• Screw, Cap		<u>3402-357</u>	1	Pipe, Intake #1 - Assembly (500)
6	3008-376	2	• Screw, Cap		<u>3402-358</u>	1	Pipe, Intake #2 - Assembly (500)
7	3402-163	1	Gasket, Cylinder Head (400)	26	3423-332	1	• O-Ring (400)
	<u>3402-362</u>	1	Gasket, Cylinder Head (500)		<u>3423-353</u>	1	• O-Ring (500)
8	3423-088	2	Pin	27	3423-019	2	Screw, Cap (400)
9	3423-015	2	Screw, Cap		<u>3423-347</u>	2	Screw, Cap (500)
10	3423-016	2	Screw, Cap	28	3402-086	1	Clamp
11	3423-089	2	Screw, Cylinder Head Stud	29	3004-341	2	Screw, Cap (400)
12	3423-087	2	Screw, Cylinder Head Stud		3004-341	1	Screw, Cap (500)
13	3423-203	1	Bolt, Stud	30	3413-005	1	Thermostat (400)
14	3423-007	2	Screw, Cap		3413-012	1	Thermostat (500)
15	3004-376	4	Screw, Cap	31	3530-005	1	Switch, Water Temp - Assembly
16	3004-488	4	Nut	32	3413-004	1	Cover, Thermostat
17	3004-326	1	Nut	33	3423-354	1	Stud, Thermostat Cover
18	3003-290	4	Gasket	34	3423-349	1	Nut
19	3402-010	4	Gasket, Head Nut	35	3402-048	1	Plug, Frost *
20	0217-632	1	Spark Plug (NGK CR6E)				

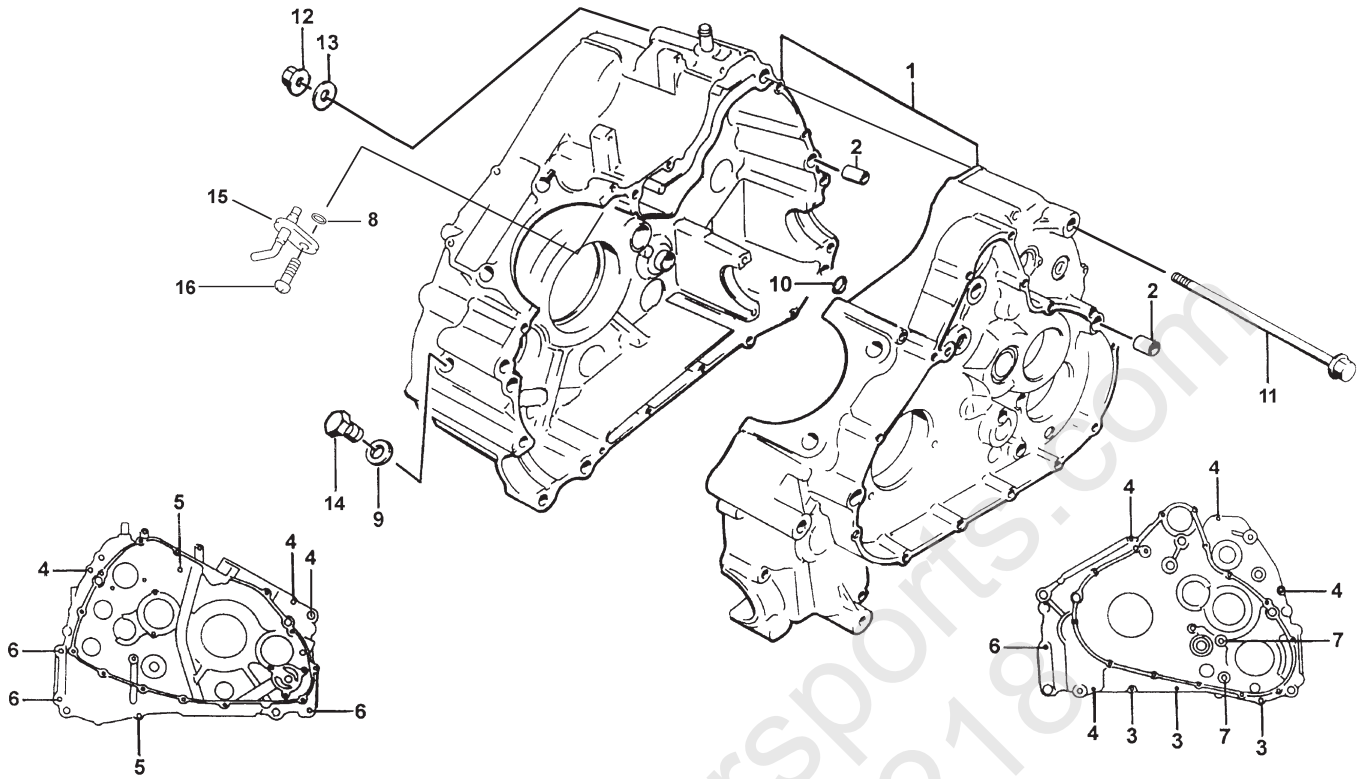


CYLINDER ASSEMBLY

0732-301

Ref.	Part No.	Qty.	Description	Ref.	Part No.	Qty.	Description
1	3402-102	1	Cylinder (400)	5	3423-088	2	Pin
	3402-364	1	Cylinder (500)	6	3413-006	1	Union, Water Hose
2	3423-090	2	Bolt, Stud	7	3423-121	1	Screw, Cap
3	3004-488	2	Nut	8	3423-058	1	O-Ring
4	3402-103	1	Gasket, Cylinder (400)				
	3402-365	1	Gasket, Cylinder (500)				

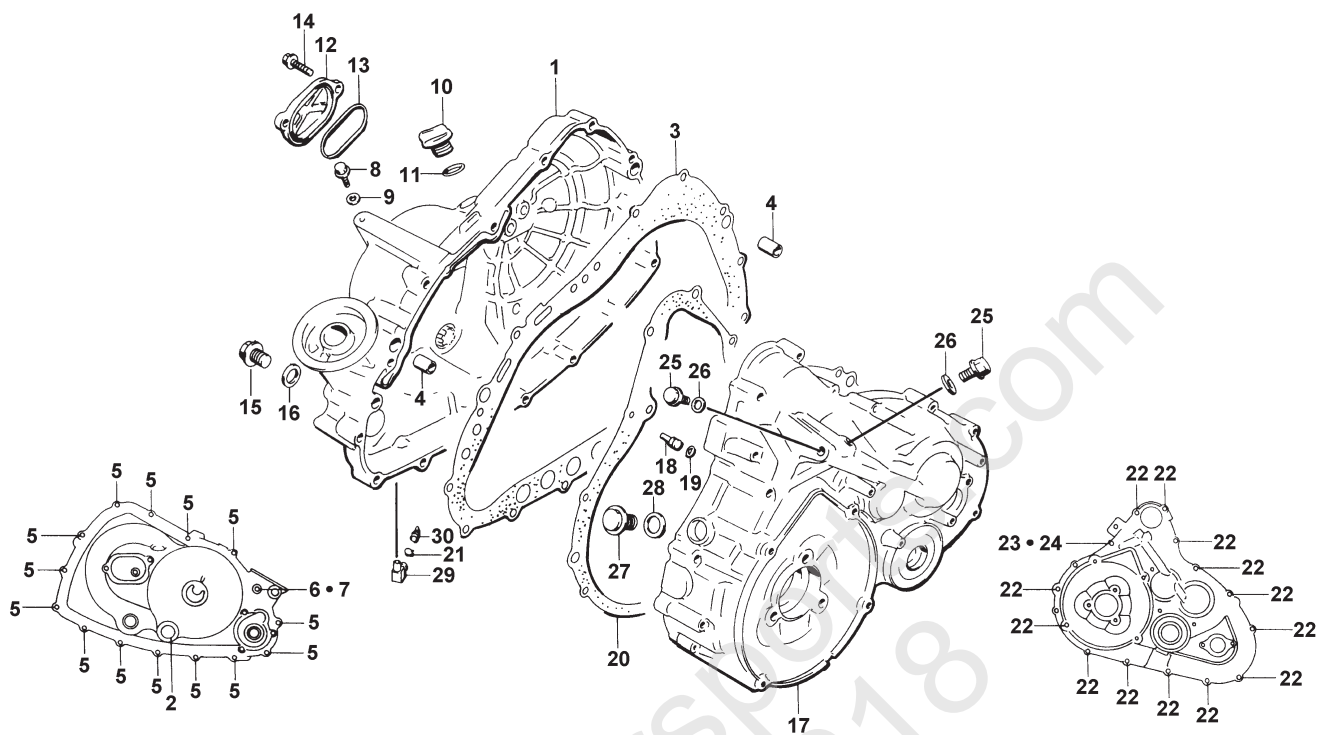
1999 400 4x4
1999 500 4x4



CRANKCASE ASSEMBLY

0734-325

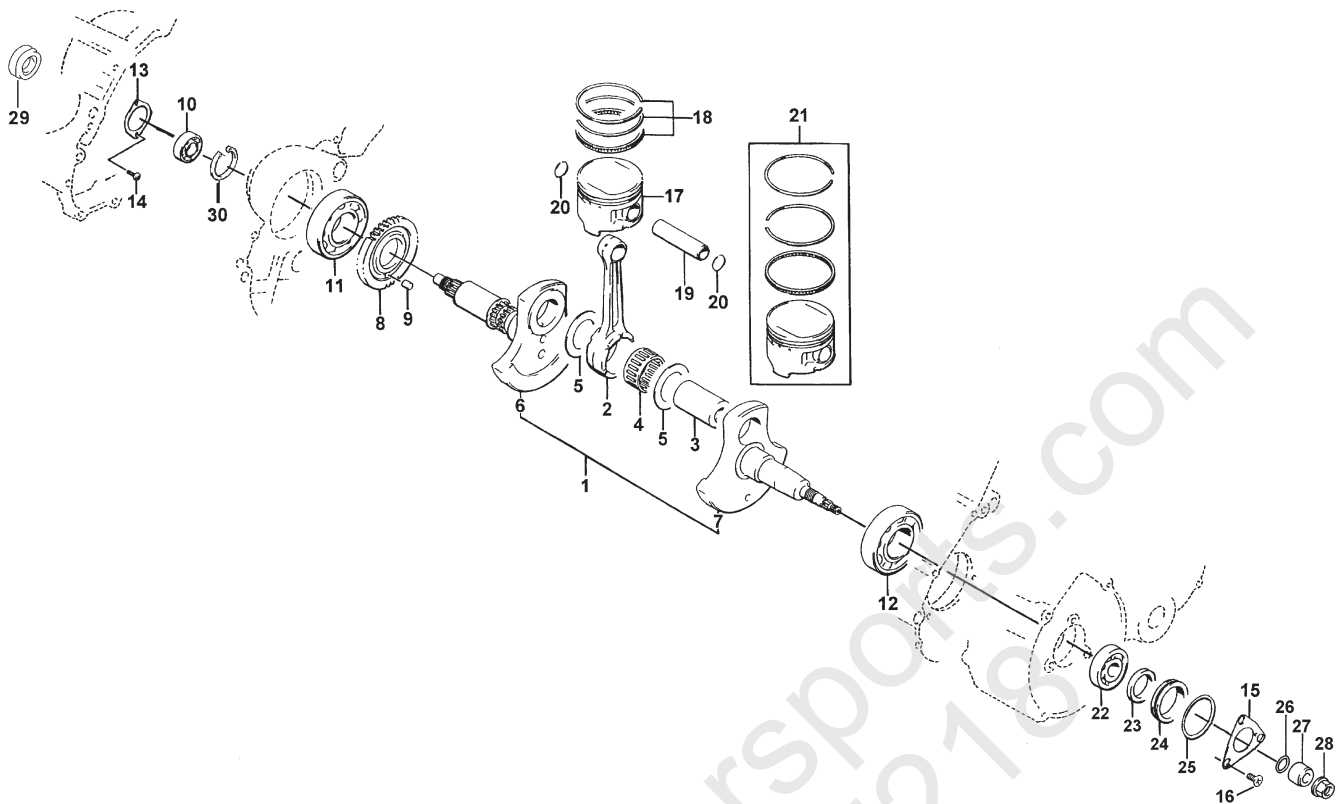
Ref.	Part No.	Qty.	Description	Ref.	Part No.	Qty.	Description
1	3402-388	1	Crankcase Set (inc. 2-7) (400)	8	3423-051	1	● O-Ring (500)
	3402-366	1	Crankcase Set (inc. 2-8, 10, 15, and 16) (500)	9	3402-011	1	Gasket
2	3423-088	4	● Pin	10	3423-052	1	O-Ring (500)
3	3423-091	3	● Screw, Cap	11	3423-009	3	Screw, Cap
4	3423-092	7	● Screw, Cap	12	3423-024	3	Nut
5	3423-094	2	● Screw, Cap	13	3004-278	3	Washer
6	0693-303	4	● Screw, Cap	14	3423-095	1	Plug, Oil Gallery
7	3423-093	2	● Screw, Cap	15	3402-369	1	Jet, Piston Cooling (500)
				16	3004-552	1	Screw (500)



CRANKCASE COVER ASSEMBLY

0732-303

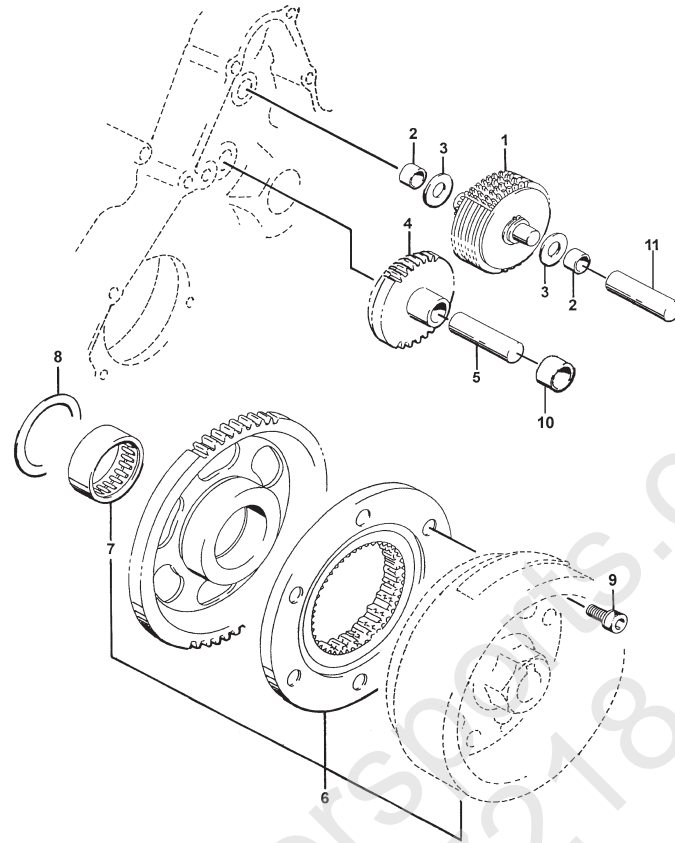
Ref.	Part No.	Qty.	Description	Ref.	Part No.	Qty.	Description
1	3402-199	1	Cover, Clutch (inc. 2) (400)	16	3402-012	1	Gasket
	<u>3402-367</u>	1	Cover, Clutch (inc. 2) (500)	17	3402-106	1	Cover Set, Transfer (inc. 18-19) (400)
2	3402-112	1	• Lens, Oil Inspection		<u>3402-368</u>	1	Cover Set, Transfer (inc. 18-19) (500)
3	3402-108	1	Gasket	18	3402-097	1	• Jet, Oil Mission
4	3423-088	4	Pin	19	3423-051	1	• O-Ring
5	0693-327	14	Screw, Cap	20	3402-109	1	Gasket
6	3423-097	1	Screw, Cap	21	3423-120	1	Clip
7	3003-290	1	Gasket	22	3423-098	13	Screw, Cap
8	3004-339	1	Plug, Oil Gallery	23	3423-092	1	Screw, Cap
9	3003-290	1	Gasket	24	3003-290	1	Gasket
10	3402-042	1	Cap, Engine Oil Filler	25	3004-705	2	Plug, Oil Gallery (400)
11	3423-055	1	O-Ring		<u>3423-348</u>	2	Plug, Oil Gallery (500)
12	3402-100	1	Cap, Inspection (400)	26	3005-242	2	Gasket
	<u>3402-363</u>	1	Cap, Inspection (500)	27	3402-041	1	Plug, Allen Head
13	3402-101	1	O-Ring	28	3402-013	1	Gasket
14	3423-096	2	Screw, Cap	29	3413-009	1	Union, Water Drain
15	3402-037	1	Plug, Oil Pressure (400)	30	3413-008	1	Hose
	3402-214	1	Plug, Oil Pressure (500)				



CRANKSHAFT ASSEMBLY

0734-326 * Not a Service Part

Ref.	Part No.	Qty.	Description	Ref.	Part No.	Qty.	Description
1	3402-339	1	Crankshaft Assembly (inc. 2-9) (400)	17	3402-340	1	Piston (400)
	3402-372	1	Crankshaft Assembly (inc. 2-9) (500)		3402-373	1	Piston (500)
2	3402-341	1	• Rod, Connecting (400)	18	3402-114	1	Ring Set, Piston (400)
	3402-376	1	• Rod, Connecting (500)		3436-009	1	Ring Set, Piston (+0.50 mm) (400)
3	3402-116	1	• Pin, Crank (400)		3436-010	1	Ring Set, Piston (+1.00 mm) (400)
	3402-377	1	• Pin, Crank (500)		3402-374	1	Ring Set, Piston (500)
4	3402-064	1	• Bearing (400)	19	3402-110	1	Pin (400)
	3402-386	1	• Bearing (500)		3402-375	1	Pin (500)
5	3423-030	2	• Washer (400)	20	3423-069	2	Circlip (400)
	3423-351	2	• Washer (500)		3423-344	2	Circlip (500)
6	3402-342	1	• Crankshaft Set - Right (inc. 8-9) (400)	21	3402-430	1	Piston Assy (inc. 17, 18, and 20) (400)
	3402-378	1	• Crankshaft Set - Right (inc. 8-9) (500)		3402-346	1	Piston Set (+0.50 mm) (400)
7	3402-343	1	• Crankshaft - Left (400)		3402-347	1	Piston Set (+1.00 mm) (400)
	3402-379	1	• Crankshaft - Left (500)		3402-431	1	Piston Assy (inc. 17, 18, and 20) (500)
8	*	1	• Gear, Balancer Drive	22	3402-051	1	Bearing
9	*	1	• Pin	23	3402-070	1	Seal, Oil
10	3402-044	1	Bearing - Right (400)	24	3402-119	1	Spacer
	3402-384	1	Bearing - Right (500)	25	3423-063	1	O-Ring
11	3402-058	1	Bearing - Center	26	3423-053	1	O-Ring
12	3402-054	1	Bearing - Left	27	3402-348	1	Spacer, Bearing - Left
13	3402-120	1	Retainer, Bearing	28	3004-491	1	Nut
14	3423-017	2	Screw, Cap (400)	29	3402-387	1	Seal, Oil
15	3402-188	1	Retainer, Oil Seal - Left	30	3423-355	1	Circlip
16	3423-018	3	Screw, Cap				

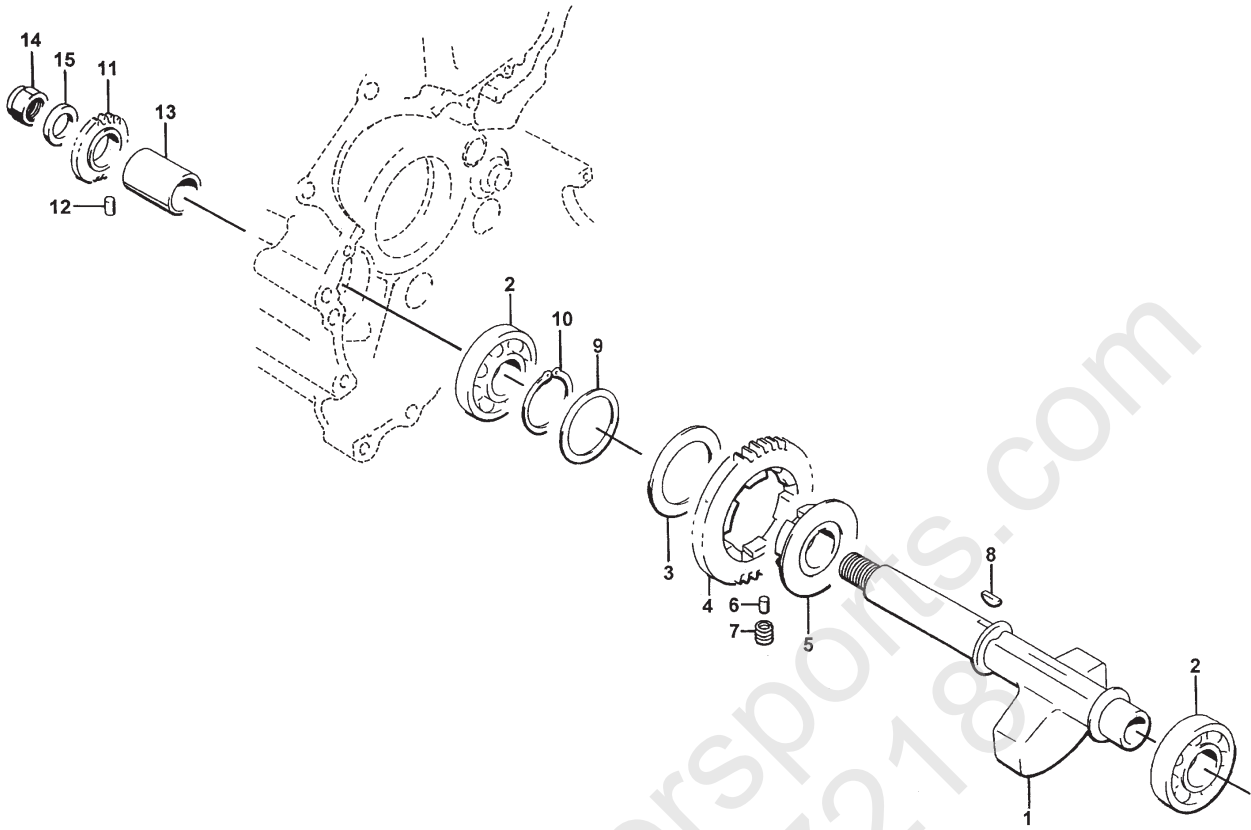


STARTER CLUTCH ASSEMBLY

0734-327

Ref.	Part No.	Qty.	Description	Ref.	Part No.	Qty.	Description
1	3402-344	1	Gear, Starter - Idle #1 (400)	6	3402-380	1	Clutch, Starter - Set (inc. 7)
	3402-123	1	Limiter, Assembly - Idle Gear (500)	7	3402-063	1	• Bearing
2	3402-125	2	Bushing	8	3423-104	1	Washer
3	3423-103	2	Washer	9	3423-102	6	Screw, Cap
4	3402-124	1	Gear, Starter Idle #2 (400)	10	3423-352	1	Spacer (500)
	3402-349	1	Gear, Starter Idle (500)	11	3423-331	1	Pin (400)
5	3423-042	1	Pin				

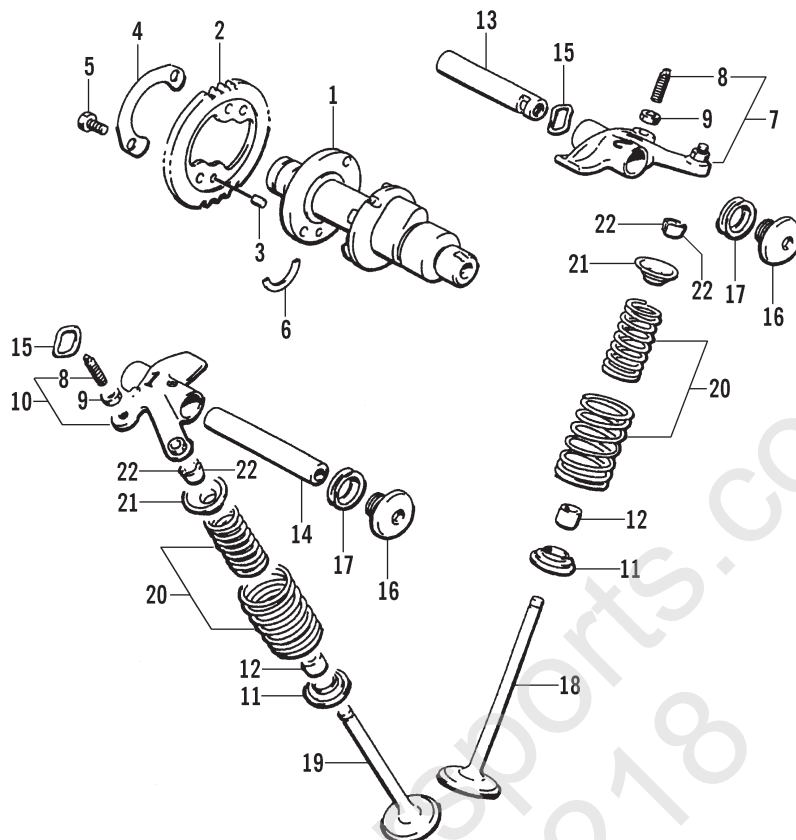
1999 400 4x4
1999 500 4x4



CRANK BALANCER ASSEMBLY

0732-306

Ref.	Part No.	Qty.	Description	Ref.	Part No.	Qty.	Description
1	3402-345	1	Balancer, Crank (400)	9	3423-107	1	Washer
	3402-350	1	Balancer, Crank (500)	10	3423-200	1	Circlip
2	3402-050	2	Bearing	11	3402-390	1	Gear, Oil Pump Drive (400)
3	3423-033	1	Washer		3402-150	1	Gear, Oil Pump Drive (500)
4	3402-128	1	Gear, Driven	12	3423-114	1	Pin
5	3402-129	1	Race, Driven Gear - Inner	13	3402-151	1	Spacer
6	3423-106	3	Pin	14	3423-025	1	Nut, Lock
7	3402-090	6	Spring	15	3423-029	1	Washer
8	3004-540	1	Key				

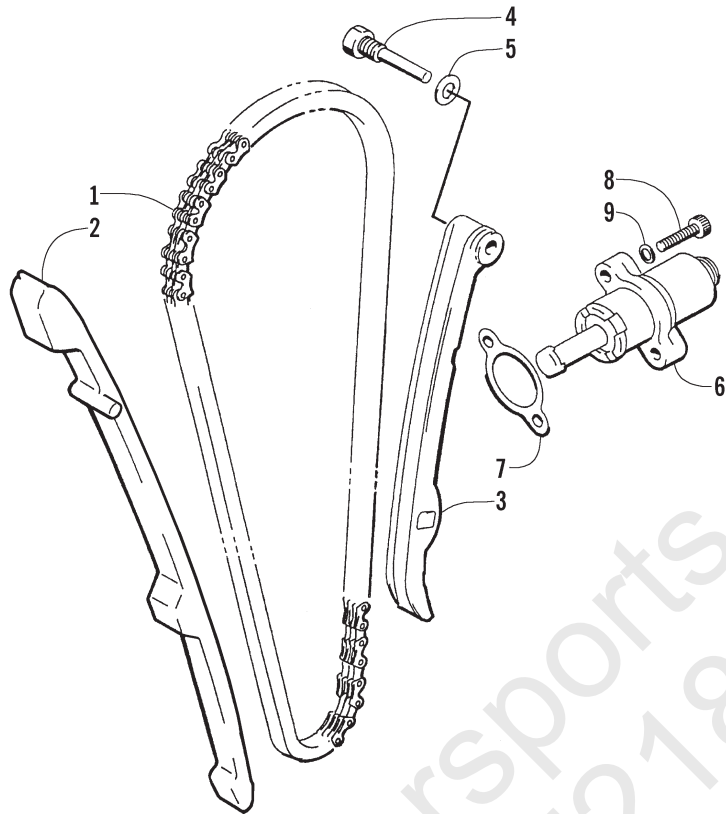


CAM SHAFT VALVE ASSEMBLY

0732-307

Ref.	Part No.	Qty.	Description	Ref.	Part No.	Qty.	Description
1	3402-027	1	Cam Shaft	12	3402-078	4	Seal, Oil
2	3402-131	1	Sprocket (400)	13	3402-140	1	Shaft, Rocker Arm
	3402-352	1	Sprocket (500)	14	3402-141	1	Shaft, Rocker Arm
3	3423-047	1	Pin	15	3423-031	2	Washer
4	3423-073	1	Washer	16	3402-040	2	Plug, Shaft
5	3423-013	2	Screw, Cap	17	3402-012	2	Gasket
6	3423-071	1	C-Ring	18	3402-142	2	Valve, Intake
7	3402-138	1	Arm, Valve Rocker (inc. 8-9)	19	3402-143	2	Valve, Exhaust
8	3423-075	2	• Screw, Cap	20	3402-144	4	Spring, Valve - Set
9	3423-076	2	• Nut	21	3402-146	4	Retainer, Spring
10	3402-139	1	Arm, Valve Rocker (inc. 8-9)	22	3402-147	8	Cotter, Valve
11	3402-148	4	Seat, Spring				

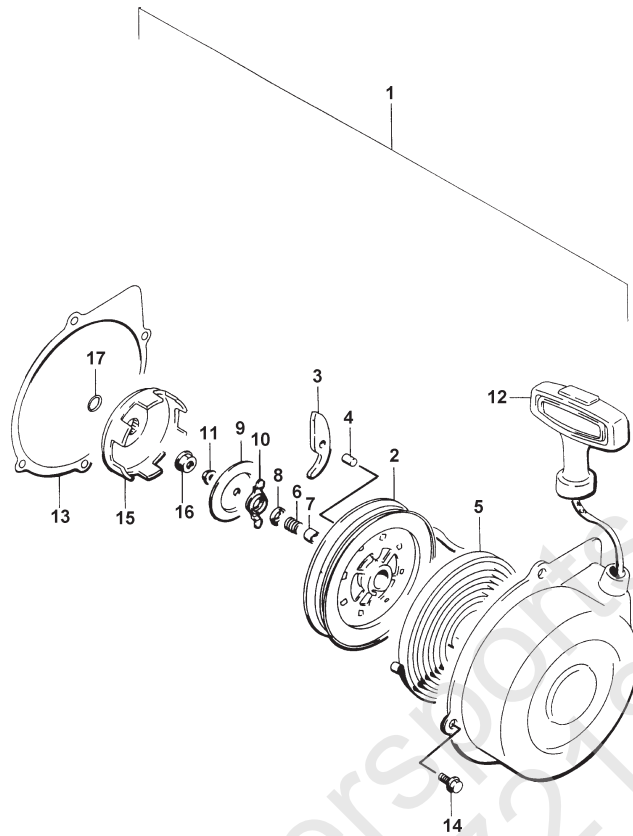
1999 400 4x4
 1999 500 4x4



CAM CHAIN ASSEMBLY

0732-308

Ref.	Part No.	Qty.	Description	Ref.	Part No.	Qty.	Description
1	3402-133	1	Chain, Cam (400)	4	3423-074	1	Screw, Cap
	3402-353	1	Chain, Cam (500)	5	3003-188	1	Washer
2	3402-134	1	Guide, Chain (400)	6	3402-136	1	Adjuster, Tensioner - Assembly
	3402-355	1	Guide, Chain (500)	7	3402-137	1	Gasket
3	3402-135	1	Tensioner, Chain (400)	8	3004-475	2	Screw, Cap
	3402-356	1	Tensioner, Chain (500)	9	3003-290	2	Gasket

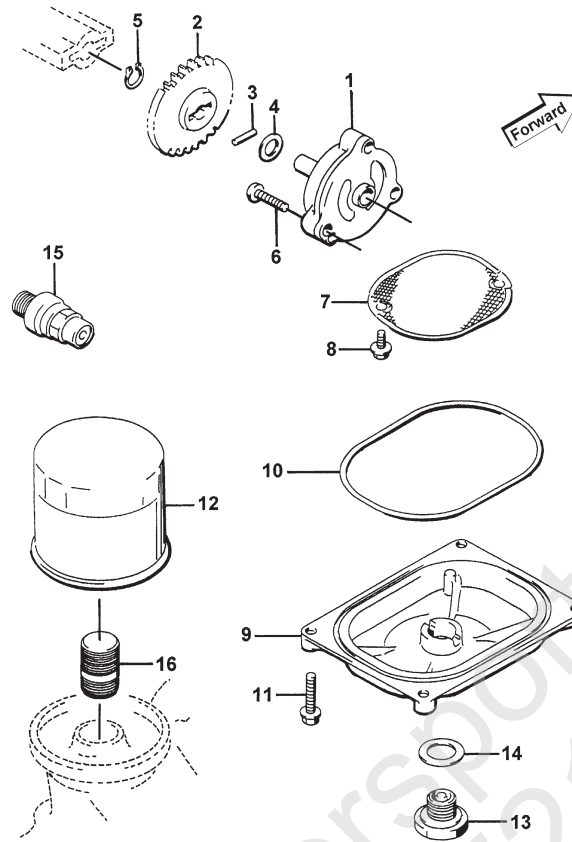


RECOIL STARTER ASSEMBLY

0732-309 * Not a Service Part

Ref.	Part No.	Qty.	Description	Ref.	Part No.	Qty.	Description
1	3445-003	1	Starter, Recoil - Assembly (inc. 2-12)	10	*	1	● Guide, Ratchet
2	3445-004	1	● Reel	11	3004-488	1	● Nut
3	3445-016	1	● Ratchet Assembly (inc. 4 and 6-10)	12	3445-011	1	● Rope Assembly
4	*	1	●● Pin, Ratchet	13	3445-013	1	Gasket
5	3445-007	1	● Spring, Spiral	14	3423-112	4	Screw, Cap
6	*	1	● Spring, Friction	15	3445-015	1	Cup, Starter (400)
7	*	1	● Shaft	16	3445-026	1	Cup, Starter (500)
8	*	1	● Cover, Spring	16	3004-491	1	Nut
9	*	1	● Plate, Friction	17	3423-053	1	O-Ring

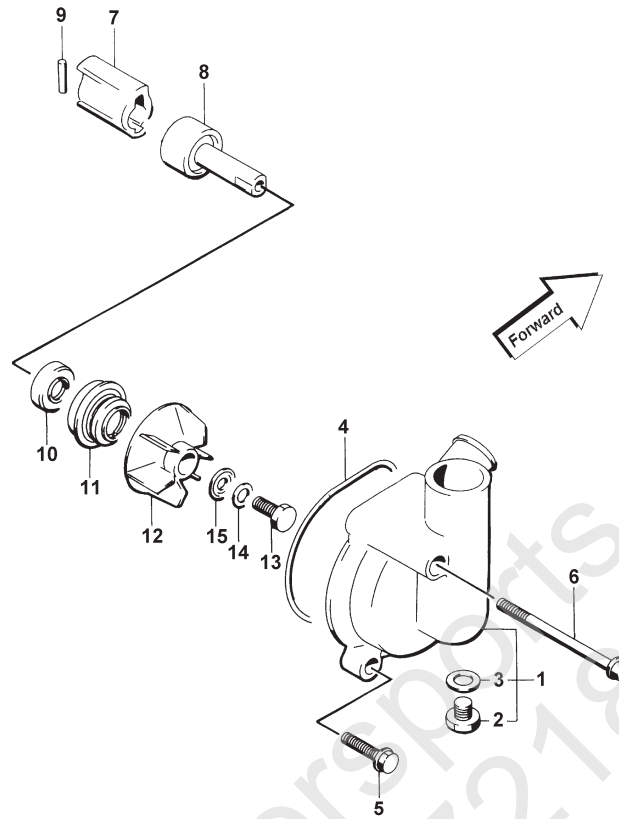
1999 400 4x4
1999 500 4x4



OIL FILTER/PUMP ASSEMBLY

0732-310

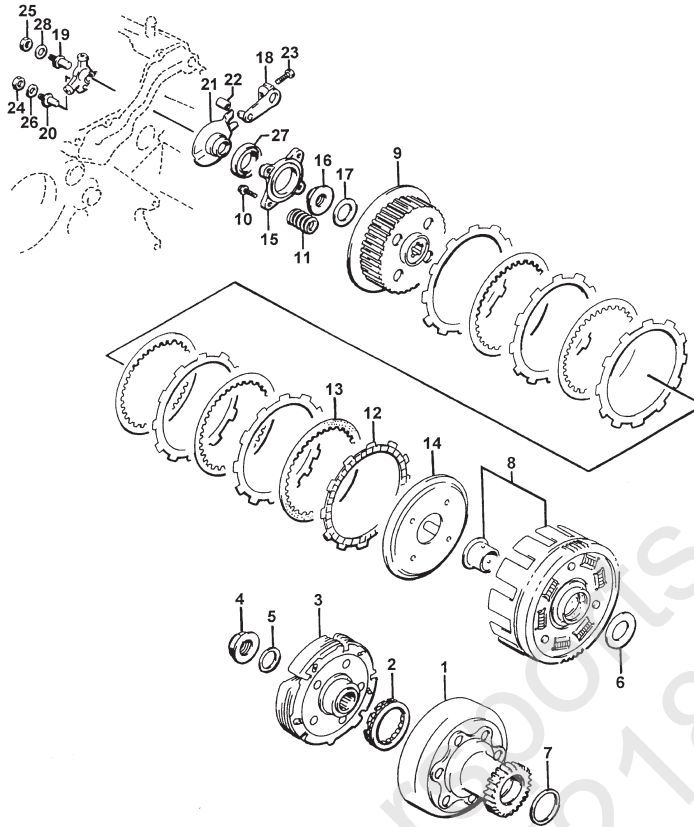
Ref.	Part No.	Qty.	Description	Ref.	Part No.	Qty.	Description
1	3402-153	1	Pump, Engine Oil	10	3423-077	1	O-Ring
2	3402-026	1	Gear, Driven	11	3004-756	4	Screw, Cap
3	3423-046	1	Pin	12	0436-001	1	Filter, Engine Oil (400)
4	3423-115	1	Washer		0436-146	1	Filter, Engine Oil (500)
5	3423-184	1	Circlip	13	3402-036	1	Plug, Drain
6	3423-113	3	Screw, Cap	14	3402-012	1	Gasket
7	3402-156	1	Strainer, Engine Oil	15	3402-154	1	Valve, Assembly - Oil Relief (400)
8	0693-389	2	Screw, Cap		3402-359	1	Valve, Assembly - Oil Relief (500)
9	3402-157	1	Cap, Oil Strainer	16	3402-158	1	Union, Oil Filter



WATER PUMP ASSEMBLY

0732-311

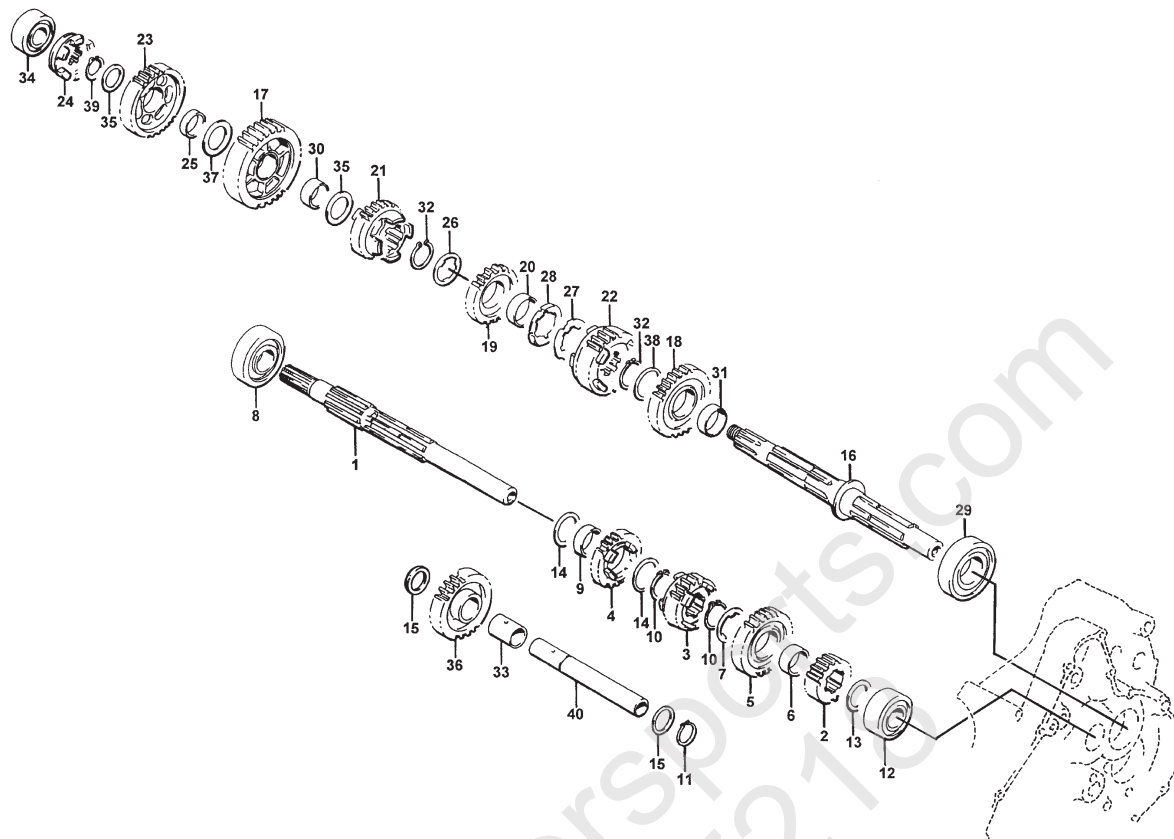
Ref.	Part No.	Qty.	Description	Ref.	Part No.	Qty.	Description
1	3402-159	1	Case, Water Pump (inc. 2-3) (400)	8	3413-002	1	Shaft, Water Pump w/Bearing
	3402-354	1	Case, Water Pump (inc. 2-3) (500)	9	3423-046	1	Pin
2	3423-185	1	• Screw, Cap (400)	10	3003-356	1	Seal, Pump Drive
	3423-343	1	• Screw, Cap (500)	11	3402-360	1	Seal, Mechanical
3	3003-188	1	• Gasket	12	3413-001	1	Impeller
4	3423-078	1	O-Ring	13	3003-426	1	Screw, Cap
5	3004-507	2	Screw, Cap	14	3003-431	1	Washer
6	3423-119	1	Screw, Cap	15	3003-432	1	Gasket
7	3413-010	1	Joint, Pump Drive (400)				
	3413-011	1	Joint, Pump Drive (500)				



CLUTCH ASSEMBLY

0732-312

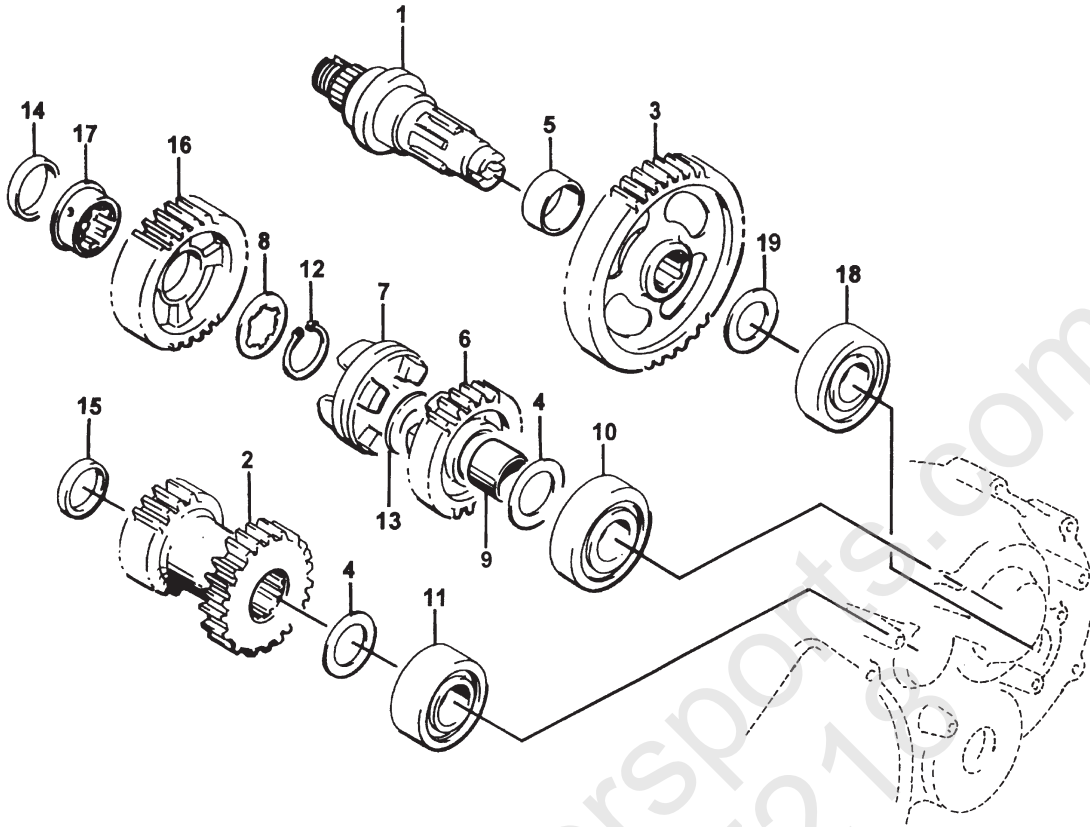
Ref.	Part No.	Qty.	Description	Ref.	Part No.	Qty.	Description
1	3446-001	1	Housing, Starter Clutch (400)	14	3446-008	1	Disk, Clutch Pressure
	3446-232	1	Housing, Starter Clutch (500)	15	3446-009	1	Plate, Clutch Release
2	3446-003	1	Clutch, Primary Drive One Way	16	3423-080	1	Nut, Clutch Sleeve Hub
3	3446-227	1	Shoe, Starter Clutch (400)	17	3423-032	1	Washer, Sleeve Hub
	3446-233	1	Shoe, Starter Clutch (500)	18	3446-011	1	Arm, Clutch Release
4	3423-081	1	Nut, Starter Clutch Shoe	19	3423-361	1	Bolt, Clutch Release (No. 1) (400)
5	3423-032	1	Washer, Starter Shoe		3423-333	1	Bolt, Clutch Release (No. 1) (500)
6	3423-122	1	Washer, Primary Driven	20	3423-083	2	Bolt, Clutch (No. 2)
7	3423-186	1	Washer, Primary Driven (400)	21	3446-214	1	Guide, Release Roller
	3423-350	1	Washer, Primary Driven (500)	22	3446-013	1	Roller, Clutch Release - Assembly
8	3446-002	1	Gear, Primary Driven - Assembly	23	3423-125	1	Bolt, Clutch Release Arm
9	3446-213	1	Hub, Clutch Sleeve (400)	24	3008-014	1	Nut, Clutch Release (No. 2)
	3446-004	1	Hub, Clutch Sleeve (500)	25	3423-359	1	Nut, Clutch Release (No. 1) (400)
10	3423-330	4	Screw, Cap, Clutch Spring		3423-022	1	Nut, Clutch Release (No. 1) (500)
11	3446-005	4	Spring, Clutch	26	3423-027	1	Washer, Clutch (No. 2)
12	3446-006	5	Plate, Clutch Drive (400)	27	3402-186	1	Bearing, Clutch
	3446-006	6	Plate, Clutch Drive (500)	28	3423-360	1	Washer, Clutch Release (No. 1) (400)
13	3446-226	4	Plate, Clutch Driven (400)		3423-204	1	Washer, Clutch Release (No. 1) (500)
	3446-007	5	Plate, Clutch Driven (500)				



TRANSMISSION ASSEMBLY

0734-328

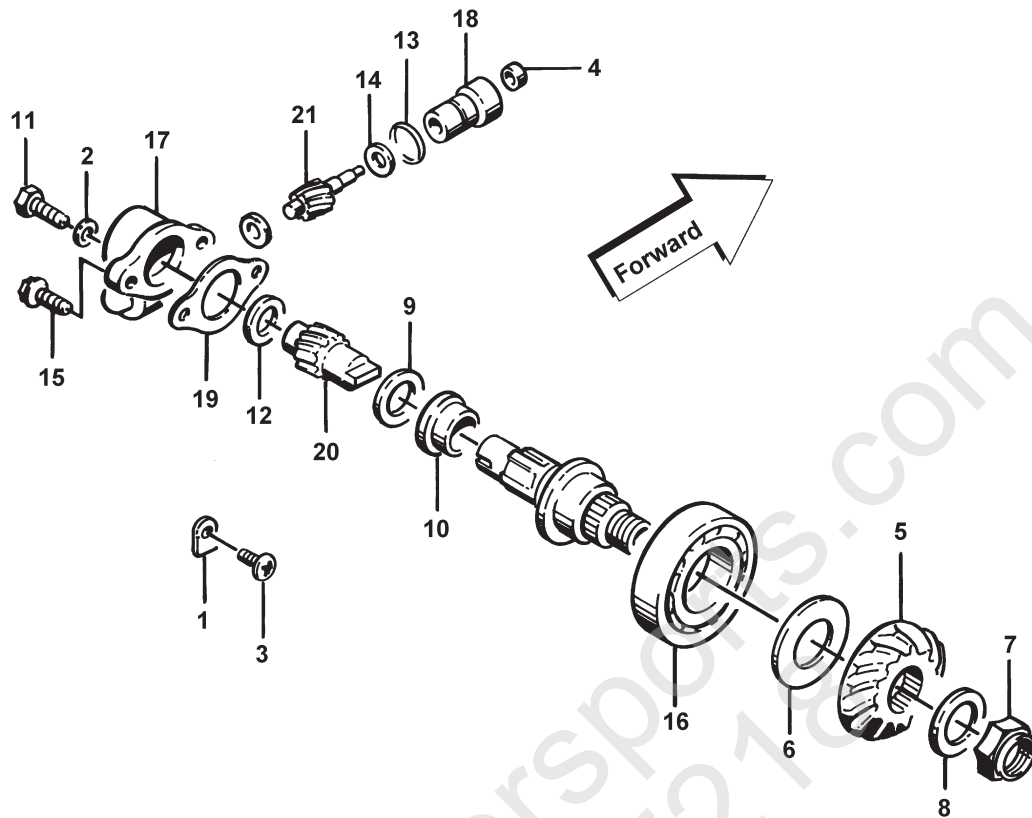
Ref.	Part No.	Qty.	Description	Ref.	Part No.	Qty.	Description
1	3446-014	1	Shaft, Counter	21	3446-219	1	Gear, 4th Driven
2	3446-016	1	Gear, 2nd Drive	22	3446-220	1	Gear, 5th Drive
3	3446-215	1	Gear, 3rd Drive	23	3446-029	1	Gear, Reverse Driven
4	3446-018	1	Gear, 4th Drive	24	3446-030	1	Dog, Reverse
5	3446-216	1	Gear, 5th Drive	25	3446-032	1	Bushing, Reverse Driven
6	3446-020	1	Bushing, 5th Drive Gear	26	3423-038	1	Washer, 3rd Driven - Right
7	3423-037	1	Washer, 5th Drive Gear	27	3423-039	1	Washer, 3rd Driven - Left
8	3402-050	1	Bearing, Center Shaft - Right	28	3423-040	1	Washer, 3rd Driven - Left
9	3402-081	1	Bushing, 4th Drive Gear	29	3402-336	1	Bearing, Driveshaft
10	3423-066	2	Circlip, 4th Drive	30	3402-080	1	Bushing, 1st Driven
11	3423-190	1	Circlip, Reverse Idle	31	3402-082	1	Bushing, 2nd Driven
12	3402-179	1	Bearing, Center Shaft	32	3423-188	2	Circlip, 2nd Driven
13	3402-195	1	Shim	33	3446-238	1	Bushing, Reverse Idle
14	3423-187	2	Washer, 4th Drive	34	3003-320	1	Bearing, Driveshaft - Right
15	3423-126	2	Washer, Reverse Idle	35	3402-335	2	Washer, Reverse Driven
16	3446-015	1	Driveshaft (400)	36	3446-237	1	Gear, Reverse Idle
	3446-234	1	Driveshaft (500)	37	3423-131	1	Washer, 1st Driven - Right
17	3446-217	1	Gear, 1st Driven (400)	38	3003-605	1	Washer, 2nd Driven (400)
	3446-235	1	Gear, 1st Driven (500)		3402-383	1	Washer, 2nd Driven (500)
18	3446-022	1	Gear, 2nd Driven	39	3423-189	1	Circlip, Reverse Driven
19	3446-218	1	Gear, 3rd Driven	40	3446-236	1	Shaft, Reverse Idle
20	3446-024	1	Bushing, 3rd Driven				



SECONDARY TRANSMISSION ASSEMBLY

0734-329

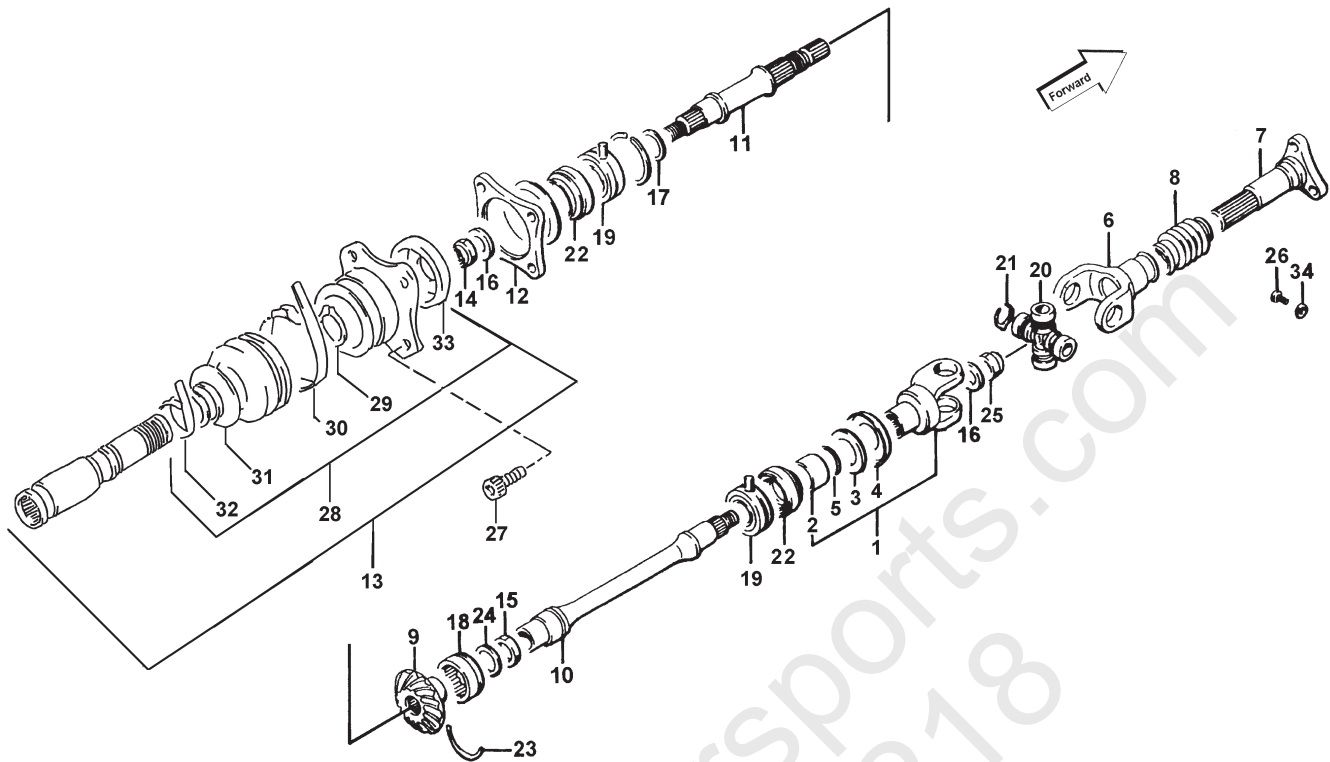
Ref.	Part No.	Qty.	Description	Ref.	Part No.	Qty.	Description
1	3446-262	1	Shaft, Output	11	3402-047	1	Bearing, Center Shaft - Left
2	3446-066	1	Gear, Idle	12	3423-066	1	Circlip No. 1
3	3446-072	1	Gear, Driven	13	3423-126	1	Washer, Gear No. 2 (400)
4	3423-150	2	Washer (400)		3402-195	1	Washer, Gear No. 2 (500)
	3402-391	2	Washer (500)	14	3446-068	1	Spacer (400)
5	3402-015	1	Spacer, Drive		3446-246	1	Spacer (500)
6	3446-070	2	Gear No. 2 (400)	15	3423-148	1	Spacer, Idle Gear
	3446-248	2	Gear No. 2 (500)	16	3446-067	1	Gear No. 1 (400)
7	3446-108	1	Dog, Select Sliding (400)		3446-245	1	Gear No. 1 (500)
	3446-249	1	Dog, Select Sliding (500)	17	3446-069	1	Bushing (400)
8	3423-036	1	Washer		3446-247	1	Bushing (500)
9	3446-103	1	Bushing	18	3402-045	1	Bearing Set - Left
10	3402-046	1	Bearing, Driveshaft - Left	19	3423-150	1	Washer



SPEEDOMETER DRIVE ASSEMBLY

0732-459

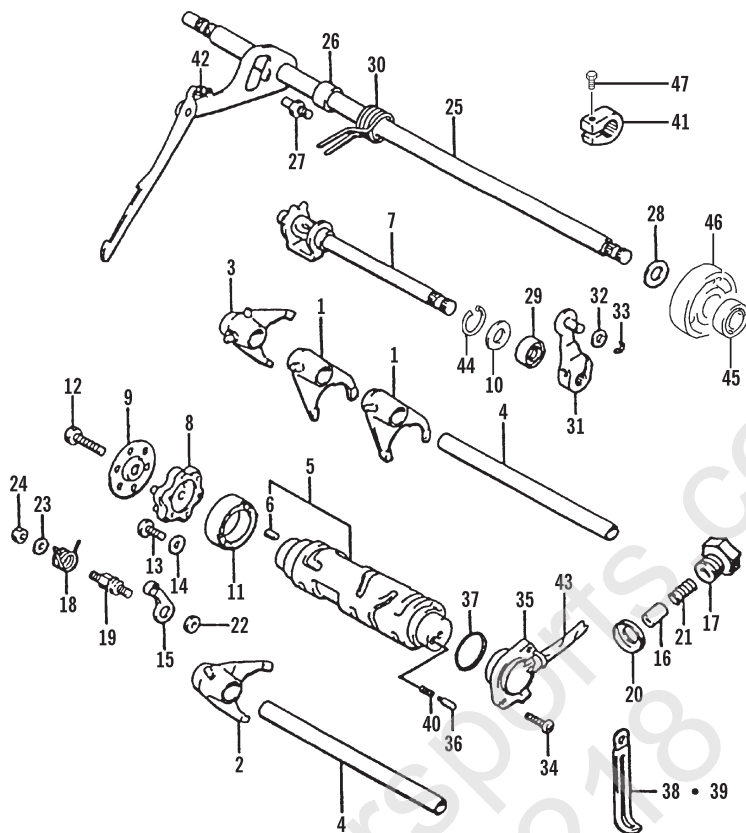
Ref.	Part No.	Qty.	Description	Ref.	Part No.	Qty.	Description
1	3446-031	2	Retainer, Bearing	12	3423-145	1	Washer
2	3402-009	1	Washer, Driven	13	3423-056	1	O-Ring
3	3423-370	2	Screw, Retainer	14	3423-144	1	Washer
4	3402-077	1	Seal, Driven Gear	15	3423-346	2	Bolt, Gear
5	3446-221	1	Gear	16	3402-180	1	Bearing Set - Right
6	3446-035	1	Shim Set	17	3446-057	1	Housing, Odometer Gear
7	3423-023	1	Nut	18	3446-058	1	Sleeve
8	3423-032	1	Washer	19	3446-244	1	Gasket
9	3423-146	1	Washer - Right	20	3446-060	1	Gear, Drive
10	3446-114	1	Spacer, Driven Gear	21	3446-061	1	Gear, Driven
11	3423-143	1	Bolt, Gear				



SECONDARY DRIVE ASSEMBLY

0734-330

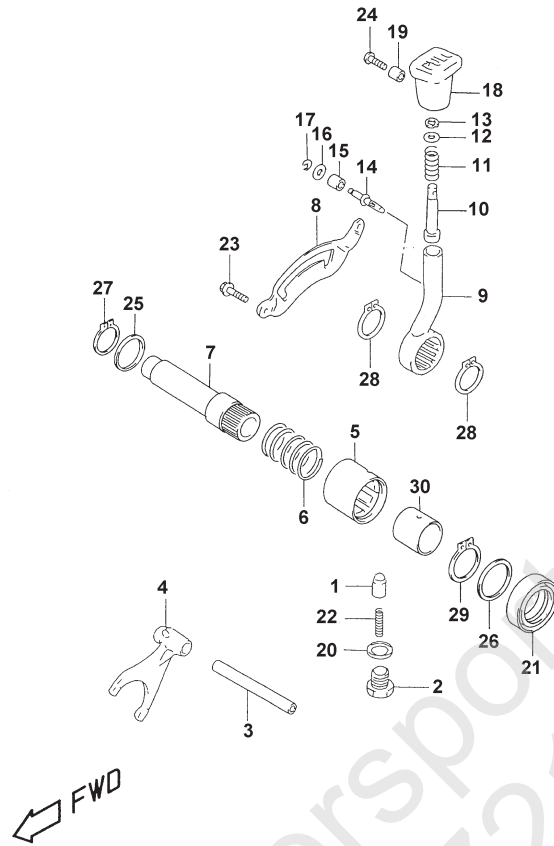
Ref.	Part No.	Qty.	Description	Ref.	Part No.	Qty.	Description
1	3435-001	1	Yoke, Drive Output (inc. 2-5)	18	3402-062	1	Bearing w/Groove
2	3435-029	1	• Collar, Yoke	19	3402-067	2	Bearing w/ Locating Ring and Pin
3	3435-030	1	• Plate, Yoke Collar	20	3435-011	1	Joint Set, Universal (inc. 21)
4	3423-035	1	• Plate, Yoke Collar	21	3423-067	4	• Circlip
5	3423-060	1	• O-Ring, Yoke Collar	22	3402-072	2	Seal, Oil
6	3435-002	1	Yoke, Joint	23	3423-072	1	Ring, Bearing
7	3435-004	1	Shaft, Propeller	24	3423-137	1	Washer
8	3435-005	1	Boot, Propeller Shaft	25	3423-025	1	Nut
9	3446-222	1	Gear	26	3423-370	2	Screw, Cap
10	3446-239	1	Shaft - Front	27	3423-309	4	Screw, Cap
11	3446-240	1	Shaft - Rear	28	3435-066	1	Bootset, Joint (inc. 29-33)
12	3435-003	1	Flange, Output Joint	29	3423-210	1	• Ring, Snap
13	3435-010	1	Joint Assembly, Rear Output (inc. 28-33)	30	3423-211	1	• Band
14	3423-025	1	Nut, Front Drive Bevel Gear	31	3435-067	1	• Boot
15	3423-136	1	Nut	32	3423-212	1	• Band
16	3423-028	2	Washer, Rear Output Flange	33	3423-356	1	• Seal, Plate
17	3402-017	1	Shim, 25 x 34 x 0.60 mm	34	3423-135	1	Retainer, Center Shaft Bearing
	3402-018	1	Shim, 25 x 34 x 0.65 mm				
	3402-019	1	Shim, 25 x 34 x 0.70 mm				
	3402-020	1	Shim, 25 x 34 x 0.75 mm				
	3402-021	1	Shim, 25 x 34 x 0.80 mm				
	3402-022	1	Shim, 25 x 34 x 0.85 mm				
	3402-023	1	Shim, 25 x 34 x 0.90 mm				
	3402-024	1	Shim, 25 x 34 x 0.95 mm				
	3402-025	1	Shim, 25 x 34 x 1.00 mm				
	3402-028	1	Shim, 25 x 34 x 1.05 mm				
	3402-029	1	Shim, 25 x 34 x 1.10 mm				
	3402-030	1	Shim, 25 x 34 x 1.15 mm				
	3402-031	1	Shim, 25 x 34 x 1.20 mm				



GEAR SHIFTING ASSEMBLY

0734-331

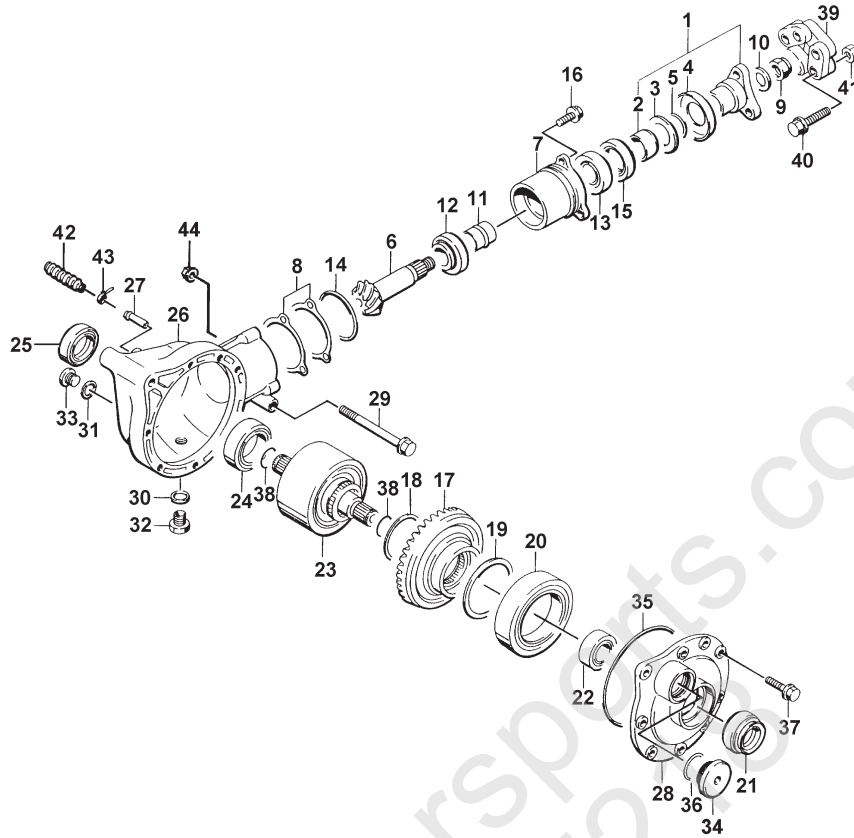
Ref.	Part No.	Qty.	Description	Ref.	Part No.	Qty.	Description
1	3446-038	2	Fork, (No. 2)	25	3446-243	1	Shaft, Gear Shift (inc. 42)
2	3446-039	1	Fork, (No. 3)	26	3446-054	1	Spacer, Gear Shift Shaft
3	3446-040	1	Fork, Reverse	27	3446-056	1	Stopper, Gear Shift Arm
4	3446-052	2	Shaft, Gear Shift Fork	28	3402-068	1	Seal, Gear Shift Shaft Oil (400)
5	3446-041	1	Cam, Gear Shift (inc. 6)	29	3402-076	1	Seal, Reverse Shift Oil
6	3423-114	1	• Pin, Gear Shift	30	3402-094	1	Spring, Gear Shift Return
7	3446-241	1	Cam, Reverse Shift	31	3446-055	1	Arm, Reverse Gear Shift
8	3446-049	1	Plate, Gear Shift Cam	32	3423-209	1	Washer, Gear Shift Cable Arm (400)
9	3446-050	1	Guide, Gear Shift Cam Plate	3423-204	1	Washer, Gear Shift Cable Arm (500)	
10	3423-357	1	Washer, Reverse Shift Cam	33	3423-168	1	E Ring, Gear Shift Cable Arm
11	3402-051	1	Bearing, Gear Shift Cam	34	3423-166	2	Screw, Cap
12	3423-125	1	Bolt, Clutch Release Arm	35	3430-015	1	Base Assembly
13	3423-370	2	Screw, Cam Bearing Retainer	36	3423-044	1	Contact, Neutral
14	3423-135	2	Retainer, Bearing	37	3423-059	1	O-Ring, Neutral
15	3446-043	1	Stopper, Gear Shift Cam	38	3004-787	1	Clamp
16	3446-117	1	Stopper, Reverse Shift Cam	39	3002-964	1	Clamp
17	3446-164	1	Housing, Reverse Cam Stopper	40	3402-087	1	Spring
18	3446-047	1	Spring, Shift Cam Stopper Arm	41	3402-008	1	Hub, Gear Shift
19	3446-048	1	Support, Shift Cam Stopper	42	3402-093	1	Spring, Gear Shift
20	3402-012	1	Gasket, Cam Stopper Housing	43	0706-990	AR	Tape, Foil
21	3402-088	1	Spring, Reverse Cam Stopper	44	3423-358	1	Circlip, Reverse Shift Cam
22	3423-141	1	Washer, Gear Shift Cam	45	3402-068	1	Seal, Gear Shift Shaft Oil (500)
23	3423-142	1	Washer, Cam Stopper Arm	46	3402-385	1	Bearing, Gear Shift (500)
24	3004-488	1	Nut, Cam Stopper Arm Support				



HI/LOW SHIFTER ASSEMBLY

0734-332

Ref.	Part No.	Qty.	Description	Ref.	Part No.	Qty.	Description
1	<u>3446-242</u>	1	Stopper, Shift Cam	16	3423-152	1	• Washer
2	3446-046	1	Housing, Shift Stop	17	3423-153	1	• E-Clip
3	3446-051	1	Shaft, Fork	18	3446-078	1	Knob
4	3446-073	1	Fork, Shift	19	3402-191	1	Spacer
5	3446-074	1	Cam, Shift (400)	20	3402-012	1	Gasket, Cam Stop
	<u>3446-250</u>	1	Cam, Shift (500)	21	3402-071	1	Seal, Oil
6	3446-104	1	Spring	22	3446-113	1	Spring
7	<u>3446-251</u>	1	Shaft, Shift	23	3004-377	2	Bolt, Stopper Plate
8	3446-077	1	Plate, Lever Stop	24	3423-156	1	Screw, Shift Knob
9	3446-105	1	Lever, Shift - Assembly (inc. 10-17)	25	<u>3402-382</u>	1	Washer, Cam Stop
10	<u>3446-252</u>	1	• Rod, Sub	26	3423-158	1	Washer, Shaft - Left
11	3446-107	1	• Spring	27	3423-191	1	Circlip, Cam Spring
12	3423-155	1	• Washer	28	3423-192	2	Circlip, Shift Lever
13	3423-154	1	• Circlip	29	3423-193	1	Circlip, Shaft - Left
14	3423-205	1	• Pin	30	3446-112	1	Spacer Set (400)
15	3446-106	1	• Collar		3446-261	1	Spacer Set (500)

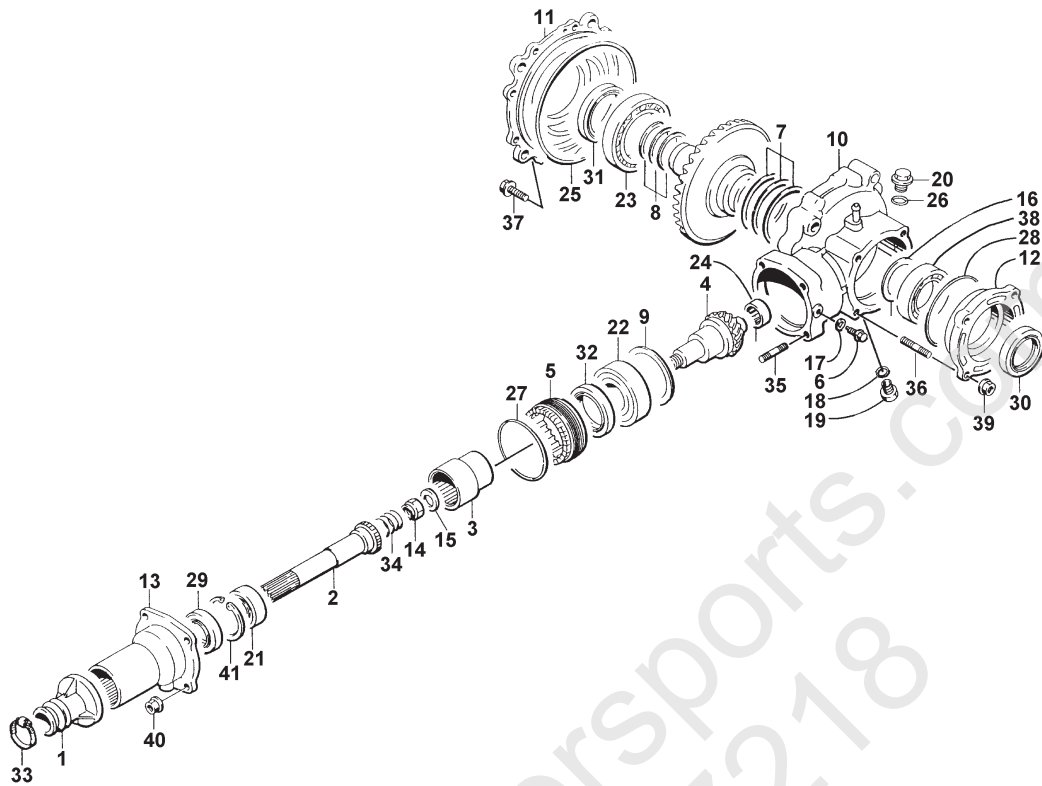


FRONT BEVEL GEAR ASSEMBLY

0733-412 * Not Included in Assembly

Complete Assembly p/n 3402-004

Ref.	Part No.	Qty.	Description	Ref.	Part No.	Qty.	Description
1	3435-089	1	Flange, Gear (inc. 2-5) *	24	3402-057	1	Bearing, Differential Case - Right
2	3435-029	1	• Collar, Gear *	25	3402-072	1	Seal, Output Oil
3	3435-030	1	• Plate, Oil Seal *	26	3435-024	1	Housing (inc. 27)
4	3423-034	1	• Plate, Gear *	27	3402-084	1	• Union, Breather
5	3423-060	1	• O-Ring, Collar *	28	3435-025	1	Case, Bearing
6	3435-086	1	Gear, Bevel	29	3423-010	2	Bolt, Mounting
7	3435-021	1	Housing, Bevel Gear	30	3402-012	1	Gasket, Oil Drain Plug
8	3435-022	1	Shim Set, Housing	31	3402-013	1	Gasket, Oil Filler Plug
9	3423-178	1	Nut, Gear *	32	3402-036	1	Plug, Oil Drain
10	3423-028	1	Washer, Bevel Gear *	33	3402-041	1	Plug, Oil Filler
11	3402-016	1	Spacer, Bevel Gear	34	3402-197	1	Plug
12	3402-066	1	Bearing	35	3423-050	1	O-Ring
13	3402-065	1	Bearing	36	3423-061	1	O-Ring
14	3423-064	1	O-Ring	37	3423-175	8	Screw, Cap
15	3402-072	1	Seal, Joint	38	3423-070	2	Ring, Driveshaft - Front
16	3423-175	1	Bolt, Housing	39	3435-007	1	Coupling, Propeller Shaft *
17	3435-087	1	Gear	40	3423-182	6	Screw, Cap *
18	3435-017	1	Shim Set	41	3004-491	6	Nut *
19	3435-020	1	Shim Set	42	0402-147	1	Bladder, Case *
20	3402-059	1	Bearing	43	0123-811	1	Tie, Cable *
21	3402-072	1	Seal - Left	44	8428-002	1	Nut, Lock
22	3402-185	1	Bearing - Left				
23	3435-085	1	Differential - Assembly (500)				
	3435-013	1	Differential - Assembly (400)				

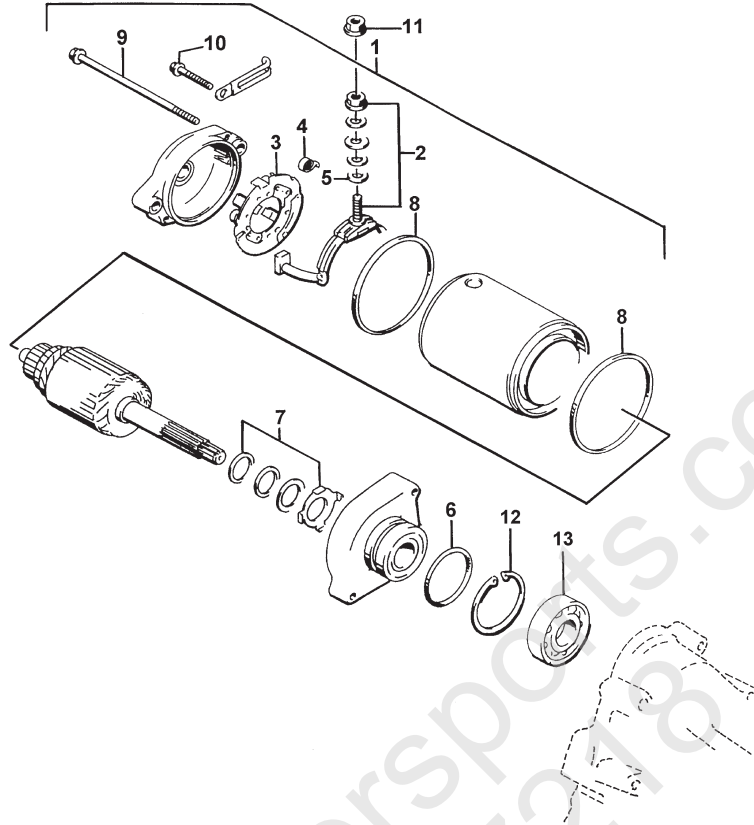


REAR BEVEL GEAR ASSEMBLY

0732-319

Complete Assembly p/n 3402-005

Ref.	Part No.	Qty.	Description	Ref.	Part No.	Qty.	Description
1	3435-051	1	Boot, Final Drive	22	3402-056	1	Bearing
2	3435-081	1	Shaft, Rear Final	23	3402-059	1	Bearing - Right
3	3435-082	1	Coupling, Rear	24	3402-061	1	Bearing, Final Drive Pilot
4	3435-083	1	Gear Set	25	3423-173	1	O-Ring, Bearing Case - Right
5	3435-015	1	Stopper, Rear Final	26	3423-057	1	O-Ring, Gear Oil Filler
6	3435-016	1	Pin, Bearing Stopper	27	3423-065	1	O-Ring, Final Bearing Stopper
7	3435-019	1	Shim Set	28	3003-335	1	O-Ring, Bearing Case - Left
8	3435-020	1	Shim Set	29	3435-088	1	Seal, Final Driven
9	3435-065	1	Shim Set	30	3402-073	1	Seal, Oil
10	3435-084	1	Case	31	3402-074	1	Seal, Oil
11	3435-026	1	Case - Right	32	3402-075	1	Seal, Oil
12	3435-027	1	Case - Left	33	3004-786	1	Clamp - Right
13	3435-028	1	Housing	34	3402-092	1	Spring
14	3423-025	1	Nut, Rear Drive Pinion	35	3004-279	4	Stud, Bolt
15	3423-029	1	Washer, Drive Nut	36	3004-421	2	Stud, Bolt - Left
16	3423-171	1	Washer - Left	37	3423-175	9	Bolt, Bearing - Right
17	3003-290	1	Gasket, Bearing Stopper Pin	38	3402-187	1	Bearing - Left
18	3402-012	1	Gasket, Oil Drain Plug	39	3004-326	2	Nut
19	3402-036	1	Plug, Oil Drain	40	3423-167	4	Nut, Rear Final Housing
20	3402-039	1	Plug, Gear Oil Filler	41	3423-194	1	Circlip Set
21	3402-052	1	Bearing				

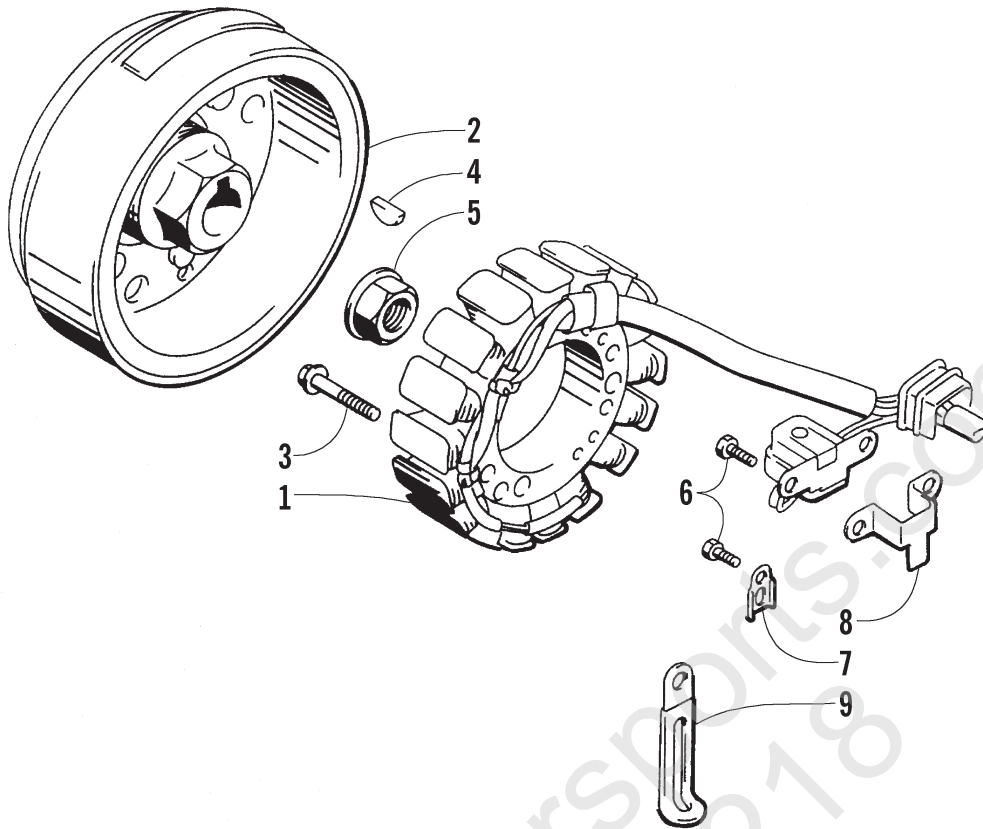


STARTER MOTOR ASSEMBLY

0732-320

Ref.	Part No.	Qty.	Description	Ref.	Part No.	Qty.	Description
1	3545-012	1	Motor, Starter Assembly (inc. 2-9) (400)	7	3436-001	1	• Washer Set
	3545-014	1	Motor, Starter Assembly (inc. 2-9) (500)	8	3008-553	2	• O-Ring
2	3008-094	1	• Terminal Set, Brush	9	3423-085	2	• Screw, Cap
3	3008-095	1	• Holder Set, Brush	10	3423-162	2	Screw, Cap
4	3008-096	4	• Spring, Brush	11	3423-195	1	Nut
5	3008-164	1	• O-Ring	12	3423-201	1	Circlip
6	3423-084	1	• O-Ring	13	3402-043	1	Bearing, Pinion Shaft

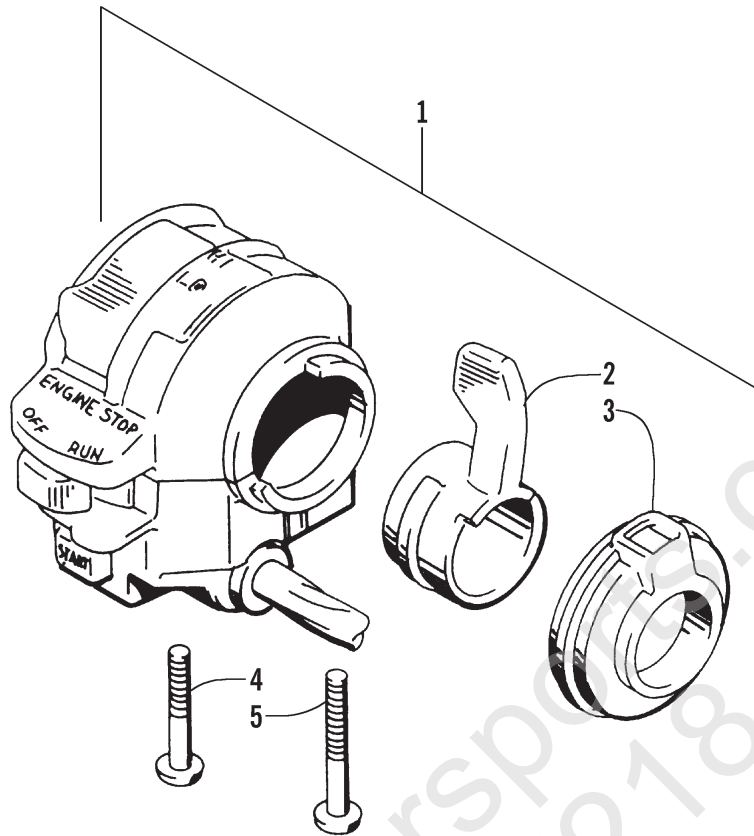
1999 400 4x4
1999 500 4x4



MAGNETO ASSEMBLY

0732-321

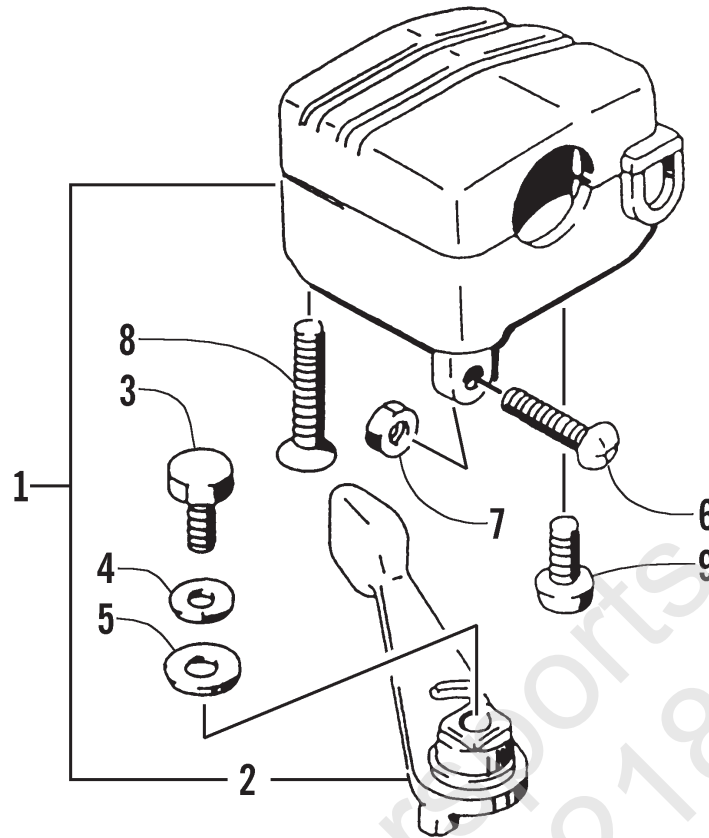
Ref.	Part No.	Qty.	Description	Ref.	Part No.	Qty.	Description
1	3430-011	1	Stator Assembly	6	3423-005	3	Screw, Cap
2	3430-012	1	Rotor	7	3430-005	1	Clamp, Magneto (No. 1)
3	3423-162	3	Bolt, Magneto	8	3430-006	1	Clamp, Magneto (No. 2)
4	0691-785	1	Key, Magneto	9	3002-964	1	Clamp, Magneto (No. 3)
5	3423-086	1	Nut, Magneto				



CONTROL SWITCH HOUSING ASSEMBLY

0732-323

Ref.	Part No.	Qty.	Description	Ref.	Part No.	Qty.	Description
1	3509-001	1	Switch, Handle - Assembly (inc. 2-5)	4	3423-196	1	• Screw, Cap
2	3409-009	1	• Lever, Choke	5	3423-197	1	• Screw, Cap
3	3409-010	1	• Cover, Choke				



THROTTLE CASE ASSEMBLY

0732-324

Ref.	Part No.	Qty.	Description	Ref.	Part No.	Qty.	Description
1	3509-003	1	Case, Throttle - Assembly (inc. 2-9)	6	3423-014	1	• Screw, Cap
2	3409-001	1	• Lever	7	3423-327	1	• Nut
3	3004-533	1	• Screw, Cap	8	3423-199	2	• Screw, Cap
4	3004-447	1	• Washer, Lock	9	3004-638	1	• Screw, Cap
5	3003-030	1	• Washer				

Related Items

Model No. 99A4E-AP & 99 A4G-AP
(400 4x4) (500 4x4)

0436-183	Battery, Heavy Duty	0436-039	Portable Light - Work
0402-096	Brake Pads, Hydraulic	0436-040	Portable Light - Spot
0402-210	Brake Pads, Mechanical	0436-143	Rack Bag, Front - Black
0436-075	Bumper, Front - 400 4x4 (requires 0436-073)	0436-073	Rack, Front - Deluxe - 400 4x4 (requires 0436-075)
0436-043	Cargo Box	0436-074	Rack, Rear - Deluxe - 400 4x4
0436-139	Cargo Trailer	0436-142	Rack Bag, Rear - Black
0436-011	Cover, Camouflage	0436-175	Rack Bag, Rear - Camouflage
0436-010	Cover, Black and Green	0436-174	Rack Bag, Front - Camouflage
0436-125	Cover, Gray	0436-014	Safety Flag
0436-100	CV Joint Protectors (front)	0436-173	Seat Cover, Camouflage
0436-087	Electrical Plug	0436-168	Shock Covers, Front
0436-171	Fender Covers, Camouflage	0436-115	Snow Plow, 50"
0436-176	Filter, Air - Prefilter	0436-116	Snow Plow - Mount
0436-001	Filter, Oil	0436-107	Snow Plow - Mechanical Lift Kit
0470-322	Filter, Air	0217-708	Spark Plug, CR7E
0436-007	Gear Lube, Differential - 80W90	0217-711	Spark Plug, CR8EK
0436-023	Gun Scabbard	0217-705	Spark Plug, CR8E
0436-121	Gun Scabbard - Mount	0217-632	Spark Plug, CR6E
0436-049	Handwarmers	0436-119	Spray Cleaner
0409-005	Headlight Bulb	0436-032	Tie Down, Camloc Style - Black
0436-035	Heater, Engine Block	0436-031	Tie Down, Camloc Style - Green
0436-103	Hourmeter	0436-101	Tie Down, Ratchet Style - Black
0436-141	Lunch Pak, Camouflage	0436-045	Tire Sealant
0436-122	Lunch Pak, Black	0436-041	Tire Repair Kit, Standard
2256-090	Manual, Illustrated Parts	0436-042	Tire Repair Kit, Deluxe
2255-951	Manual, Operator's	0402-154	Tire, 471 AT 25 x 8 - 12
2256-089	Manual, Service	0402-155	Tire, 471 AT 25 x 10 - 12
0436-154	Mirror	0436-034	Tool Holder
0436-093	Mud Flap, Front	0436-145	Winch Kit
0436-003	Oil, Engine - 5W30	0436-117	Winch - Mount - 400 4x4
0436-005	Oil, Engine - 10W40	0436-008	Winch - Mount - 500 4x4
0436-051	Portable Light - Mount	0436-068	Winch - Accessory Kit

